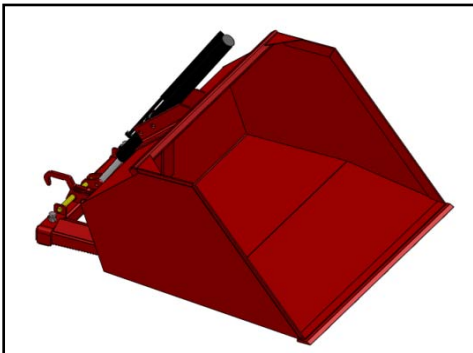
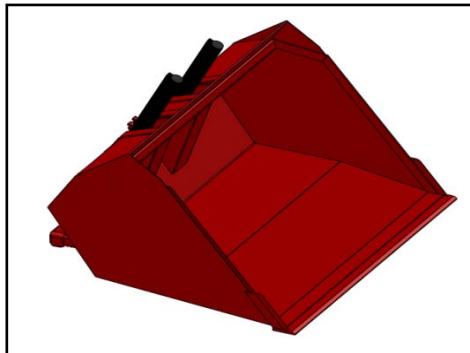


HO/HO-F/HO-I/HO-IF/HO-ZIF/HOG

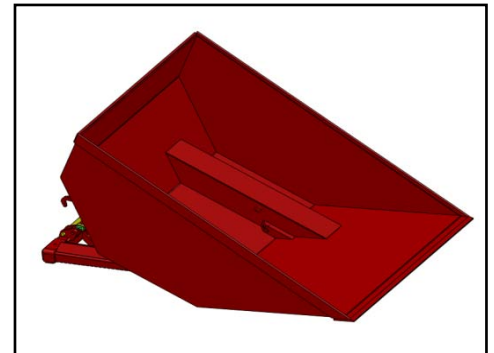
Hydraulic bulk loading buckets



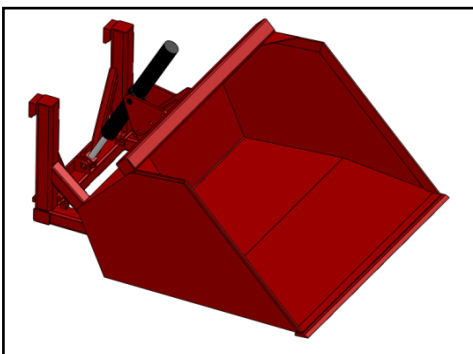
HO on fork mounted



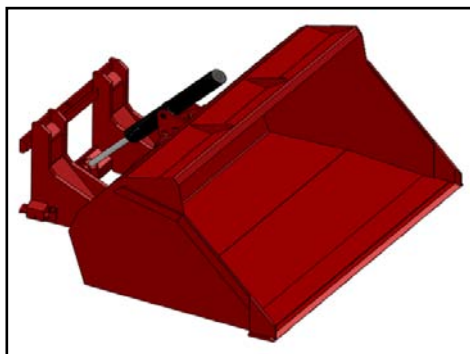
HO-I on fork mounted



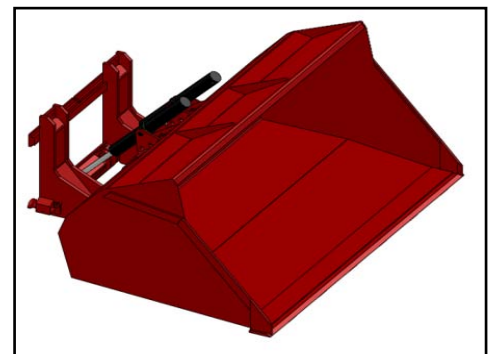
HOG on fork mounted



HO-F fork carriage mounted



HO-IF fork carriage mounted



HO-ZIF fork carriage mounted



English

Table of contents

1. TO THE USER	2
1.1 INTRODUCTION	2
1.2 SAFETY PRECAUTIONS AND WARNINGS	3
1.2.1 <i>Safety precautions</i>	3
1.2.2 <i>Safety stickers and warning signs</i>	6
1.2.3 <i>Location of the safety stickers on the machine</i>	6
1.3 PURPOSE OF USE	7
1.4 LIABILITY.....	8
1.5 WARRANTY	8
2. TECHNICAL DATA	9
2.1 GENERAL TECHNICAL DATA	9
2.2 FORK MOUNTED HO	11
2.2.1 <i>Parts list</i>	11
2.3 FORK CARRIAGE MOUNTED HO-F	12
2.3.1 <i>Parts list</i>	12
2.4 FORK MOUNTED HO-I.....	13
2.4.1 <i>Parts list</i>	13
2.5 HO-IF ON FEM II/III FORK CARRIAGE WITH 1 CYLINDER	14
2.5.1 <i>Parts list</i>	14
2.6 FORK CARRIAGE MOUNTED HO-ZIF FEM III/IV WITH 2 CYLINDERS	15
2.6.1 <i>Parts list</i>	15
2.7 FORK MOUNTED HOG	16
2.7.1 <i>Parts list</i>	16
2.7.2 <i>Commissioning fork mounted hydraulic bulk loading buckets</i>	17
2.7.3 <i>Commissioning of fork carrier mounted hydraulic bulk loading buckets</i>	17
2.8 REPLACEMENT COMPONENTS.....	18
3. MAINTENANCE AND TROUBLESHOOTING	19
3.1 PREVENTIVE MAINTENANCE AND LUBRICATION	19
3.2 TROUBLESHOOTING	20
3.3 WORK TO BE CARRIED OUT BY A COMPETENT MECHANIC.....	20
3.3.1 <i>Instructions for replacement of the blade and/or wearing strips</i>	20

1. To the user

1.1 Introduction

The aim of this manual is to inform users about the commissioning, use and maintenance of their new WIFO hydraulic bulk loading bucket. Also included in this manual are a number of safety instructions to create a safe working environment.

At WIFO-Anema B.V. we aim to continuously improve our products. WIFO-Anema B.V. reserve the right to introduce any changes and improvements deemed necessary without prior notice.

Please read the manual thoroughly and observe the safety procedures before putting the unit into operation. Contact your dealer for any further questions or concerns you may have.

We trust that your WIFO hydraulic bulk loading bucket will provide many years of useful service.



NOTE:

Carefully read this manual before you put the machine into operation and act upon all directions that are given. This is to guarantee its safe, trouble-free operation!


Keep this manual in a safe place for future reference!


WIFO-Anema B.V.

Dealer:

1.2 Safety precautions and warnings

Please read this manual before you put the machine into operation for the first time, and observe the safety instructions at all times. The most important instructions are marked with a symbol.

	<p><i>This symbol is used for all important safety instructions throughout this manual. Carefully observe the instructions and be very cautious!</i></p>
---	--

	<p><i>This symbol is used for all important actions that should not be carried out under any circumstances. Carefully observe these prohibitions!</i></p>
---	---

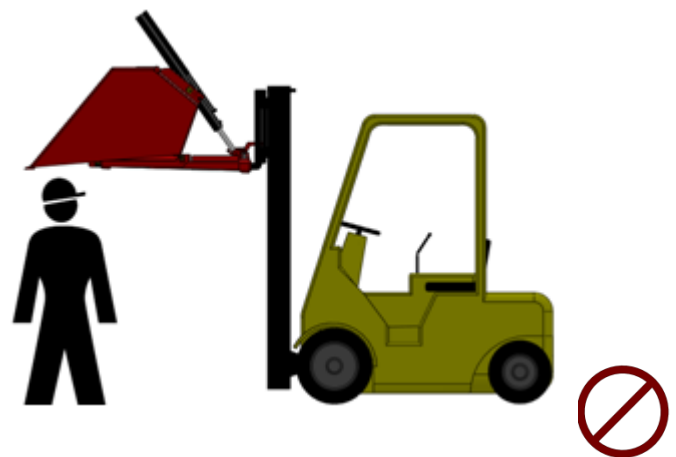
Any person in charge of the commencement of operation, the operation itself or the maintenance of the machine is urged to carefully read and observe the following instructions.

1.2.1 Safety precautions

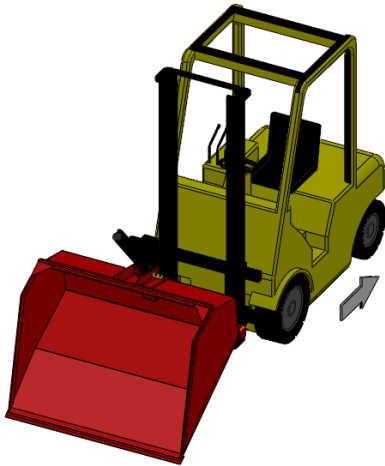
The following safety instructions apply to all types of WIFO hydraulic bulk loading buckets.



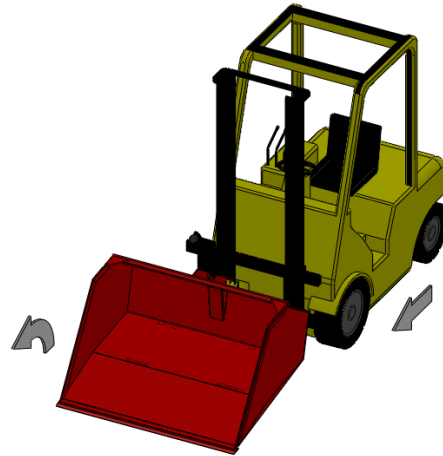
Do not allow anyone to hitch a ride.



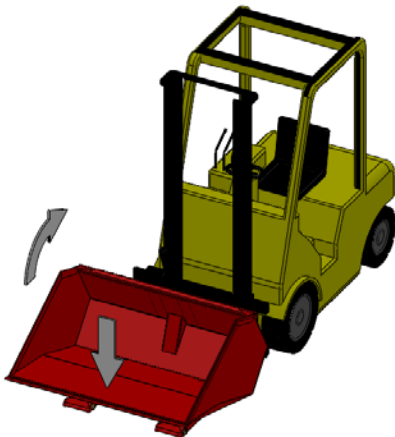
No person must stand below the raised bucket. Remember that items may fall from the bucket.



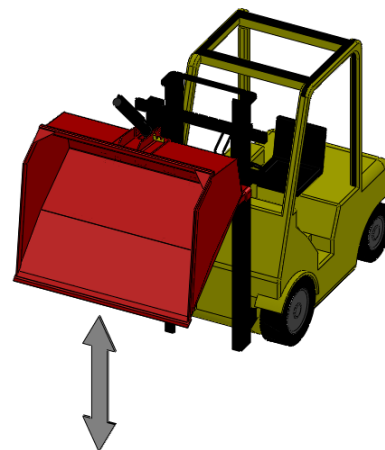
In order to prevent damage to the cylinder, a standard form lift truck must not drive forwards, and a tractor fitted with a lifting mast must not reverse, while the loading bucket is in the forward (tipped) position, with the blade of the bucket on the ground.



During loading the bucket must be kept horizontal or tilted a little forwards (max. 15°). Ensure that the bucket blade does not become trapped under or behind raised edges, rails etc. in order to avoid damage.



The loading bucket should be tipped back when transporting loads, in order to prevent the load falling out. Loads should be carried with the bucket in the lowest possible position to provide maximum stability to the lifting vehicle.



When tipping the loading bucket, ensure adequate clearance between the bucket and the ground in order to prevent damage to the loading bucket.



The bucket must only be operated from the driver's position inside the vehicle. Ensure that there is adequate visibility of the work activities from this position.

Distribute the load as evenly as possible over the width of the bucket. Keep the centre of gravity of the load as close as possible to the fork carriage. Load the bucket in such a way as to prevent loads falling off unexpectedly.

Ensure that the tipping control lever cannot be confused with other controls, in order to prevent unintended operation.


Ensure that the hydraulic hoses cannot become trapped and that the bucket is able to rotate freely with the cylinder (at the highest point).

Ensure that all persons allow adequate space around the working area of the vehicle at all times.

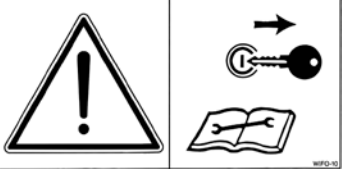
Ensure that the vehicle's tires are adequately inflated in order to optimize the stability and steering of the vehicle/bucket combination. Account must also be taken of the shifting centre of gravity as the bucket is tipped, and particularly when working on rough ground or on slopes. Use counterweights and/or double tires if necessary.

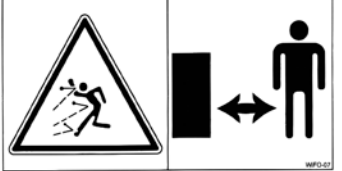
The fork lift truck or lifting mast vehicle must be parked with the loading bucket in its lowest position and flat on the ground. Ensure that the vehicle/bucket combination can not make unintended movements while the forklift or tractor is out of use. Disconnect the hydraulic hoses if necessary.

1.2.2 Safety stickers and warning signs

	<p>A safe working environment also requires personnel to be well-informed about the various safety stickers on the machine. Be aware of the hazards they warn you to look out for.</p> <p>Replace any loose, illegible or missing stickers.</p>
---	---

Several safety stickers have been put onto the machine. The meaning of the stickers on this machine is as follows:

	<p>Caution: Please read the instruction manual prior to any maintenance to the machine! Turn off the engine and remove the key from the ignition while maintenance on the machine is carried out!</p>	<p>1</p>
---	--	----------

	<p>Danger: Always keep at a safe distance from the machine!</p>	<p>2</p>
--	--	----------

1.2.3 Location of the safety stickers on the machine

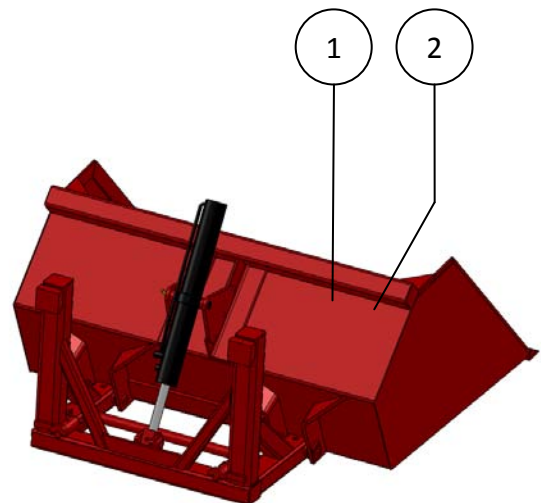
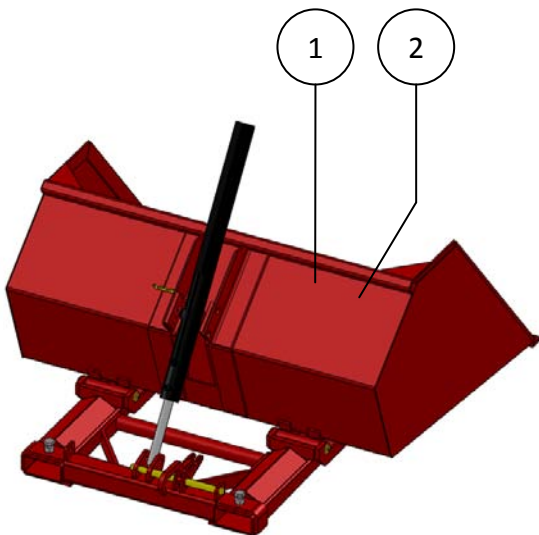


Figure 1.2.1-Location of the safety stickers on fork mounted HO

Figure 1.2.2-Location of the safety stickers on fork carriage mounted HO-F

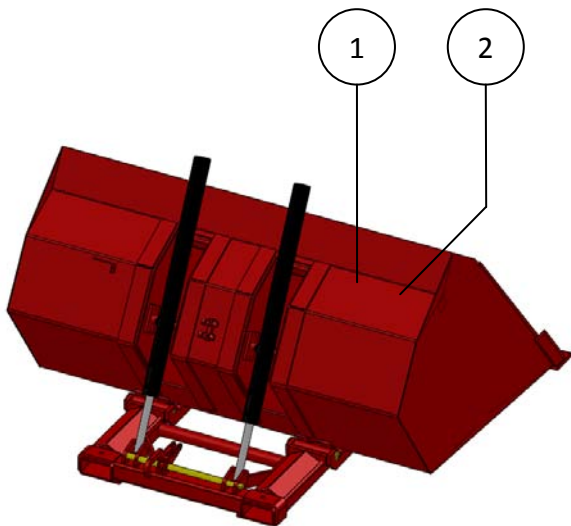


Figure 1.2.3- Location of the safety stickers on fork mounted HO-I

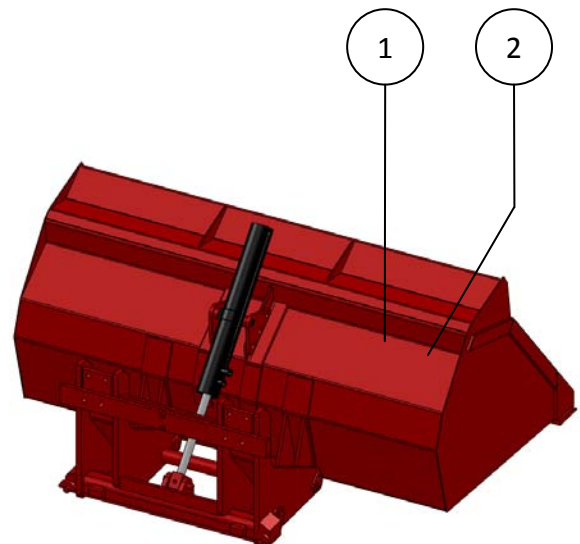


Figure 1.2.4-Location of the safety stickers for fork carriage mounted HO-IF (FEM II/III with 1 cylinder)

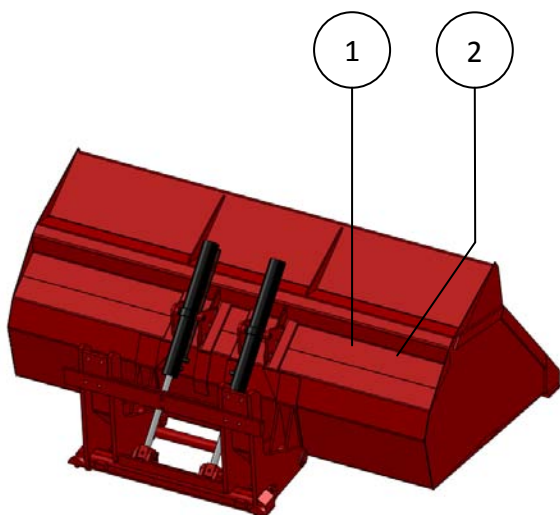


Figure 1.2.5-Location of the safety stickers for fork carriage mounted HO-ZIF (FEM III/IV with 2 cylinders)

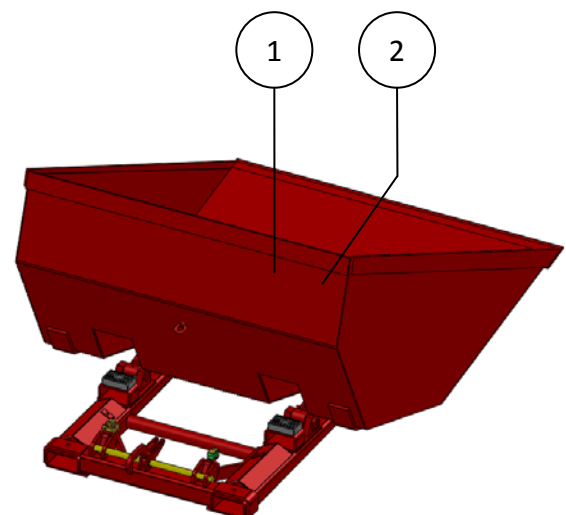


Figure 1.2.6-Location of the safety stickers on fork mounted HOG

1.3 Purpose of use

The special side plates, the rounded sides and the vision gratings make WIFO HO and HOG hydraulic bulk loading buckets particularly suitable for loading and transporting products like grain, fertilizers, compost etc. The special bucket design, its large capacity and flexibility make the HO-I bulk loading bucket ideal for industrial applications.



NOTE:


The capacity of the fork lift truck or lifting mast must exceed the total mass of the bucket and load. The fork lift truck or lifting mast must be equipped with a double action hydraulic connection at the fork carriage, as a minimum.

The hydraulic bulk loading bucket must in no circumstances be used for the carriage of persons!

1.4 Liability

Any person working with or on the machine must have read this manual. The machine is to be used for its intended purpose only. Included in the intended purpose are, among other things:

1. Work must be carried out in accordance with the directions and within the functional restrictions (e.g. maximum hydraulic working pressure) as outlined in the regulations. Use only sound and appropriate tools.
2. Electric/electronic equipment and accessories (e.g. cables) must be treated in accordance with the general accepted policy for using non-waterproof portable electric and electronic equipment, such as:
 - a) Storing and keeping in a clean, dry environment away from rodents and the like; and
 - b) Protecting the equipment against severe, uncushioned shocks and water (precipitation).
3. Use only original or compatible spare parts. Such parts must be assembled as directed (e.g. by observing the recommended tightening moments). Spare parts (as well as lubricants) are considered compatible only if explicitly approved by WIFO or in the event that the customer is able to prove they possess the required properties for the purpose(s) they are used.
4. Use only lubricants that meet the specifications as described in the directions.
5. Always observe the local regulations in terms of accident prevention, safety, traffic and transport.
6. Only trained personnel with knowledge of the possible hazards have permission to work with/on the machine.
7. WIFO-Anema B.V. will assume no liability in any shape or form for losses or damage caused following modifications to the machine, which have not been explicitly approved by WIFO.

	<p><i>Noncompliance with the rules and directions from this manual will be considered as serious negligence, for the consequences of which WIFO-Anema B.V. accepts no liability whatsoever. In such cases, the user will bear the full risk of his actions.</i></p>
	<p><i>WIFO-Anema B.V. is continuously working on the improvement of its products. For that reason, WIFO-Anema B.V. reserves the right to introduce any changes and improvements deemed necessary without prior notice. However, it does not imply an obligation to make any such changes or improvements to machines bought by customers in the past.</i></p>

1.5 Warranty

WIFO-Anema B.V. guarantees the soundness of its products in terms of materials used and/or structural defects. However, in any event this warranty is limited to the free-of-charge replacement or repairs of the defect product, or part thereof. WIFO-Anema B.V. assumes no liability for any loss or damage arising from faulty deliveries and/or the breakdown of purchased goods before the warranty period has expired. **The warranty period for this product is twelve months.**

2. Technical data

2.1 General technical data

Type	HO-750	HO-1000	HO-1300
Capacity	750 L	1000 L	1300 L
Weight	350 kg	385 kg	430 kg
Centre of gravity	792 mm	792 mm	792 mm
Centre of gravity combination ¹	975 mm	975 mm	975 mm
Width	1200 mm	1600 mm	2000 mm
Depth	1400 mm	1400 mm	1400 mm
Height	750 mm	750 mm	750 mm
Max. working pressure	18 MPa (180 bar)	18 MPa (180 bar)	18 MPa (180 bar)
Tipping angle ²	53°/28°	53°/28°	53°/28°

Table 2.1.1-HO fork mounted models

Type	HO-750F	HO-1000F	HO-1300F
Capacity	750 L	1000 L	1300 L
Weight	370 kg	410 kg	455 kg
Centre of gravity	742 mm	742 mm	742 mm
Centre of gravity combination ¹	1000 mm	1000 mm	1000 mm
Width	1200 mm	1600 mm	2000 mm
Depth	1400 mm	1400 mm	1400 mm
Height	750 mm	750 mm	750 mm
Max. working pressure	18 MPa (180 bar)	18 MPa (180 bar)	18 MPa (180 bar)
Tipping angle ²	65°/36°	65°/36°	65°/36°

Table 2.1.2-HO-F fork carriage mounted models

Type	HO-200-I	HO-225-I	HO-250-I
Capacity	1700 L	1900 L	2100 L
Weight	760 kg	790 kg	820 kg
Centre of gravity	792 mm	792 mm	792 mm
Centre of gravity combination ¹	930 mm	930 mm	930 mm
Width	2000 mm	2250 mm	2500 mm
Depth	1550 mm	1550 mm	1550 mm
Height	900 mm	900 mm	900 mm
Max. working pressure	18 MPa (180 bar)	18 MPa (180 bar)	18 MPa (180 bar)
Tipping angle ²	48°/31°	48°/31°	48°/31°

Table 2.1.3-HO-I Fork mounted models

Type	HO-150-IF	HO-175-IF	HO-200-IF
Capacity	1000 L	1200 L	1400 L
Weight	660 kg	700 kg	740 kg
Centre of gravity	720 mm	720 mm	720 mm
Centre of gravity combination ¹	1000 mm	1000 mm	1000 mm
Width	1500 mm	1750 mm	2000 mm
Depth	1195 mm	1195 mm	1195 mm
Height	950 mm	950 mm	950 mm
Max. working pressure	18 MPa (180 bar)	18 MPa (180 bar)	18 MPa (180 bar)
Tipping angle ²	51°/47°	51°/47°	51°/47°

Table 2.1.4-HO-IF on FEM II/III fork carriage with 1 cylinder

Type	HO-200-ZIF	HO-225-ZIF	HO-250-ZIF	HO-275-ZIF
Capacity	1950 L	2200 L	2450 L	2700 L
Weight	917 kg	970 kg	1015 kg	1070 kg
Centre of gravity	816 mm	816 mm	816 mm	816 mm
Centre of gravity combination ¹	1085 mm	1085 mm	1085 mm	1085 mm
Width	2000 mm	2250 mm	2500 mm	2750 mm
Depth	1500 mm	1500 mm	1500 mm	1500 mm
Height	1050 mm	1050 mm	1050 mm	1050 mm
Max. working pressure	18 MPa (180 bar)	18 MPa (180 bar)	18 MPa (180 bar)	18 MPa (180 bar)
Tipping angle ²	51°/47°	51°/47°	51°/47°	51°/47°

Table 2.1.5-HO-ZIF on FEM III/IV fork carriage with 2 cylinders

Type	HOG-160	HOG-180
Contents	1750 L	1950 L
Weight	700 kg	750 kg
Centre of gravity	1100 mm	1100 mm
Centre of gravity combination ¹	1200 mm	1200 mm
Width	1600 mm	1800 mm
Depth	2000 mm	2000 mm
Height	850 mm	850 mm
Max. working pressure	18 MPa (180 bar)	18 MPa (180 bar)
Tipping angle ²	52°/30°	52°/30°

Table 2.1.6-Fork mounted HOG models

¹ Point from which the remaining capacity of the fork lift truck is calculated, including the load.

² Forward tipping angle/rearward angle.

Attachment options

Fork mounted models:

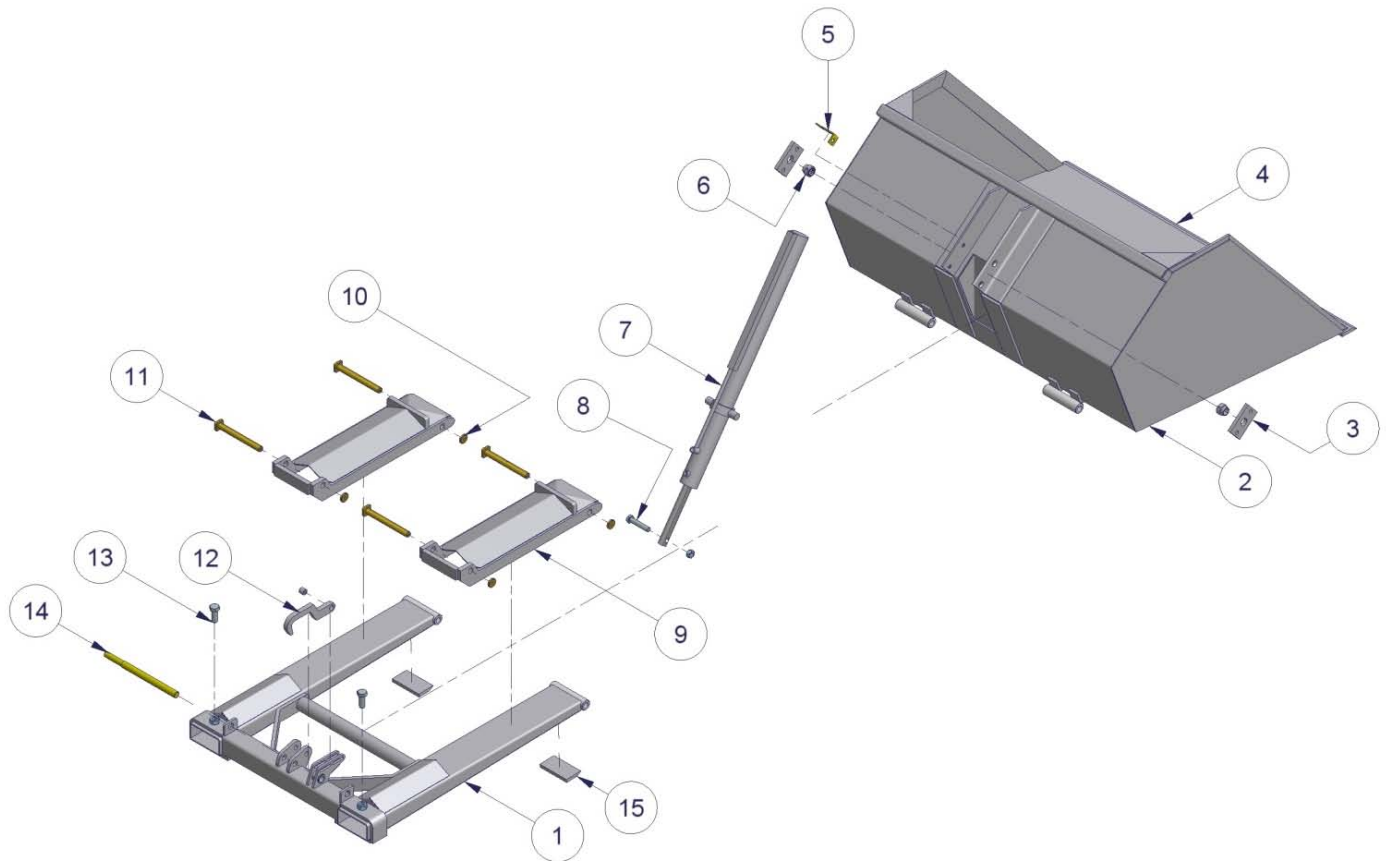
- The distance between the forkholder centers is 830mm.

For fork carriage mounted models:

- FEM II (407 mm)/FEM III (508 mm)/FEM IV (635 mm).

2.2 Fork mounted HO

2.2.1 Parts list

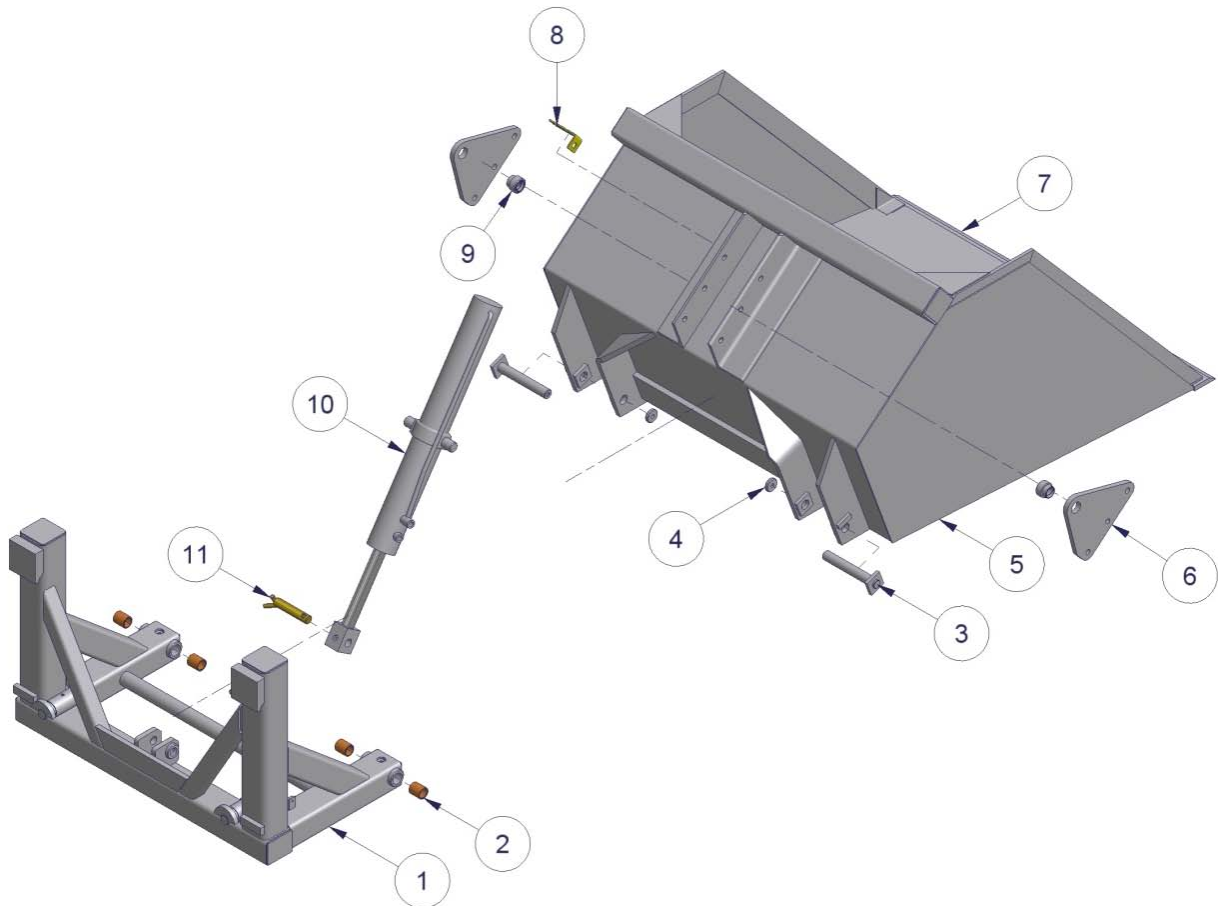


Number	Description
1	Frame
2	Bucket
3	Cylinder plate
4	Blade
5	Hose clip
6	Cylinder plate bearing
7	Cylinder DW 63-35-1000
8	Bolt with self-locking nut
9	Strip hinge
10	Washer
11	Hinge pin
12	Securing hook
13	Bolt with locknut
14	Securing hook pin
15	Wearing strip

Table 2.2.1-Parts list for fork mounted HO

2.3 Fork carriage mounted HO-F

2.3.1 Parts list

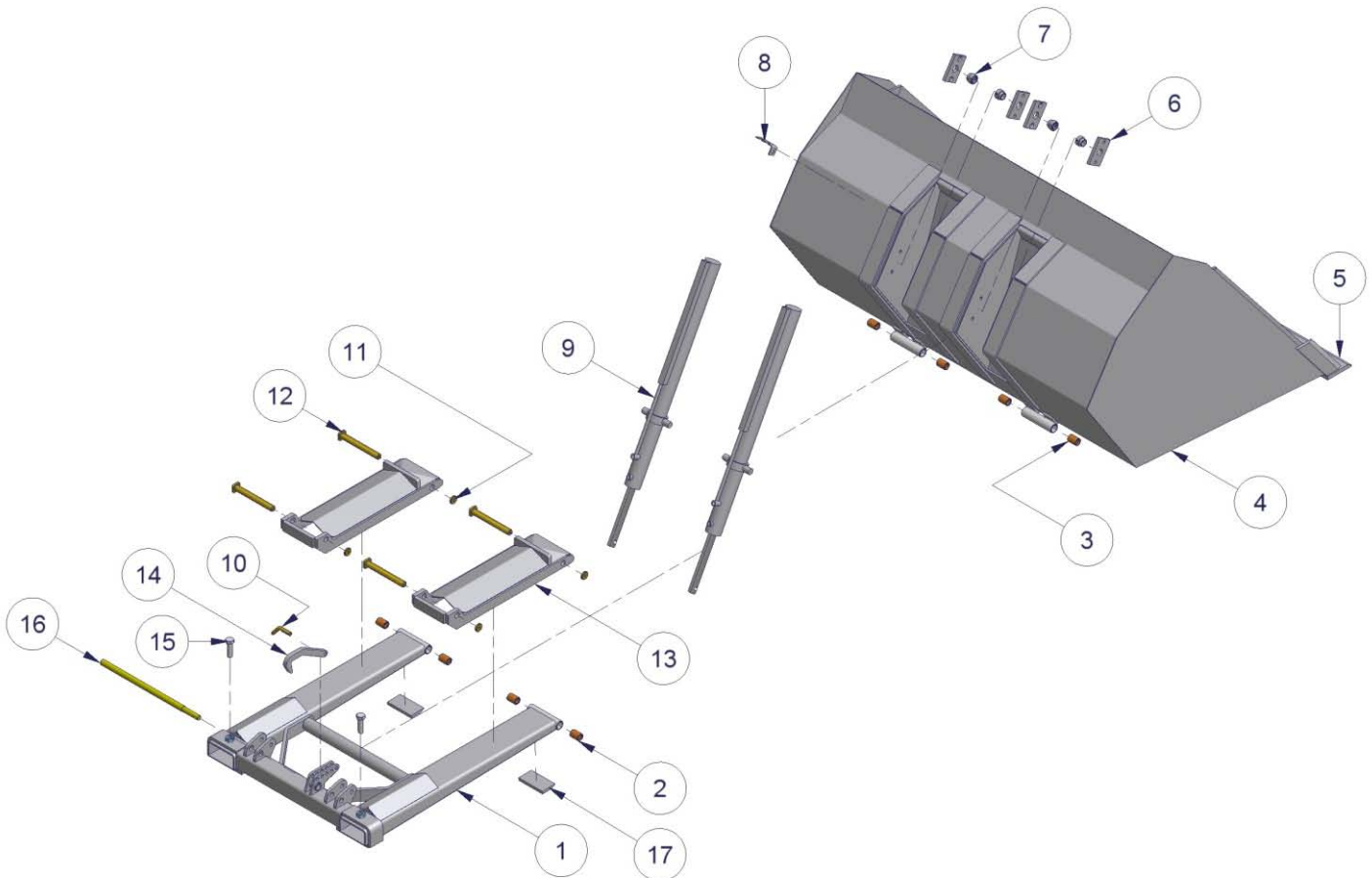


Number	Description
1	Frame
2	Bronze bucket bushing
3	Bucket pin
4	Washer
5	Bucket
6	Cylinder plate
7	Blade
8	Hose clip
9	Cylinder plate bearing
10	Cylinder DW 70-35-600
11	Category II top pin

Table 2.3.1-Parts list for fork carriage mounted HO-F

2.4 Fork mounted HO-I

2.4.1 Parts list

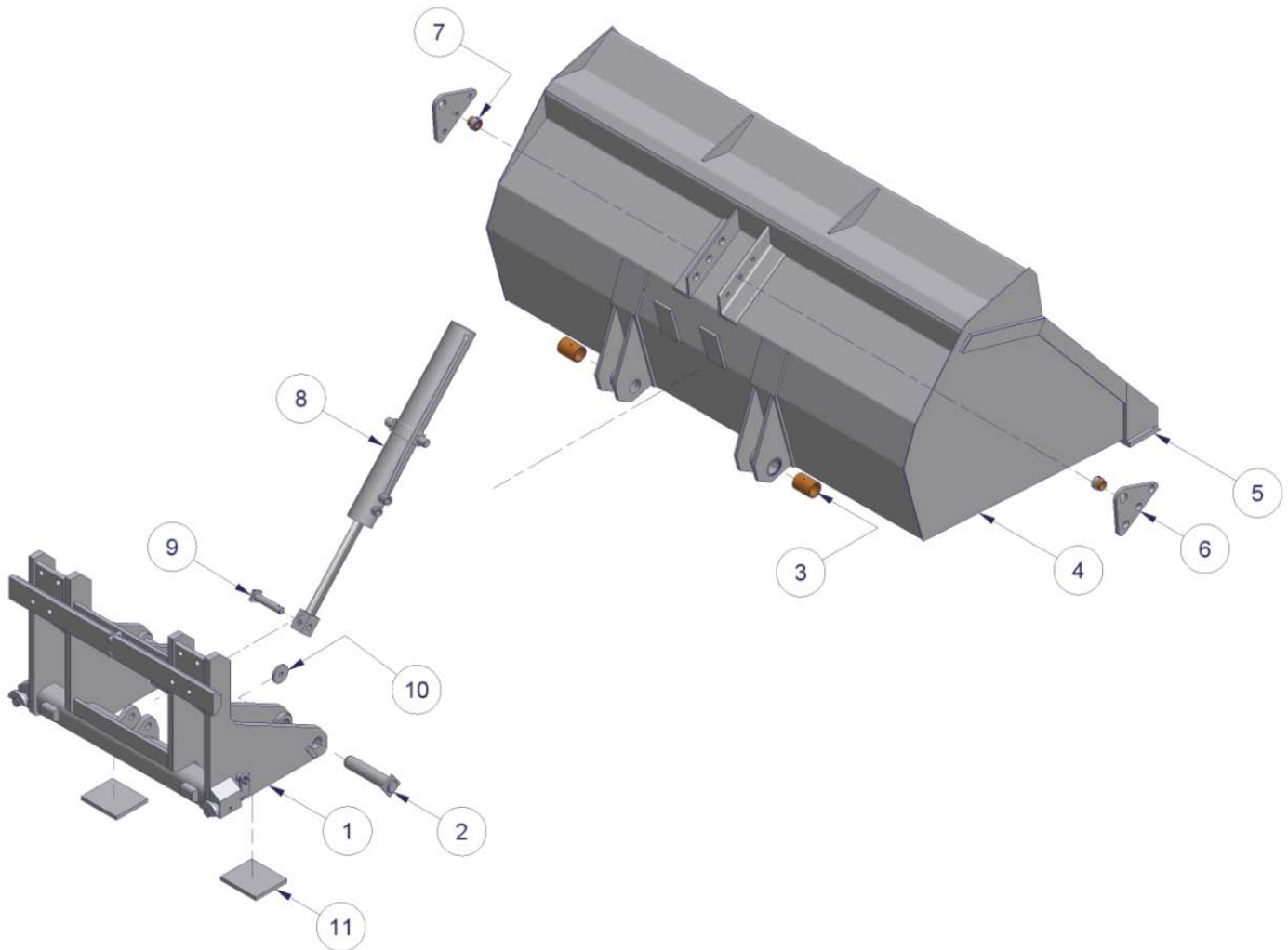


Number	Description
1	Frame
2	Bronze frame bushing
3	Bronze bucket bushing
4	Bucket
5	Blade
6	Cylinder plate
7	Cylinder plate bearing
8	Hose clip
9	Cylinder DW 63-35-1000
10	Pin
11	Washer
12	Hinge pin
13	Strip hinge
14	Securing hook
15	Bolt with locknut
16	Securing hook pin
17	Wearing strip

Table 2.4.1-Parts list for fork mounted HO-I

2.5 HO-IF on FEM II/III fork carriage with 1 cylinder

2.5.1 Parts list

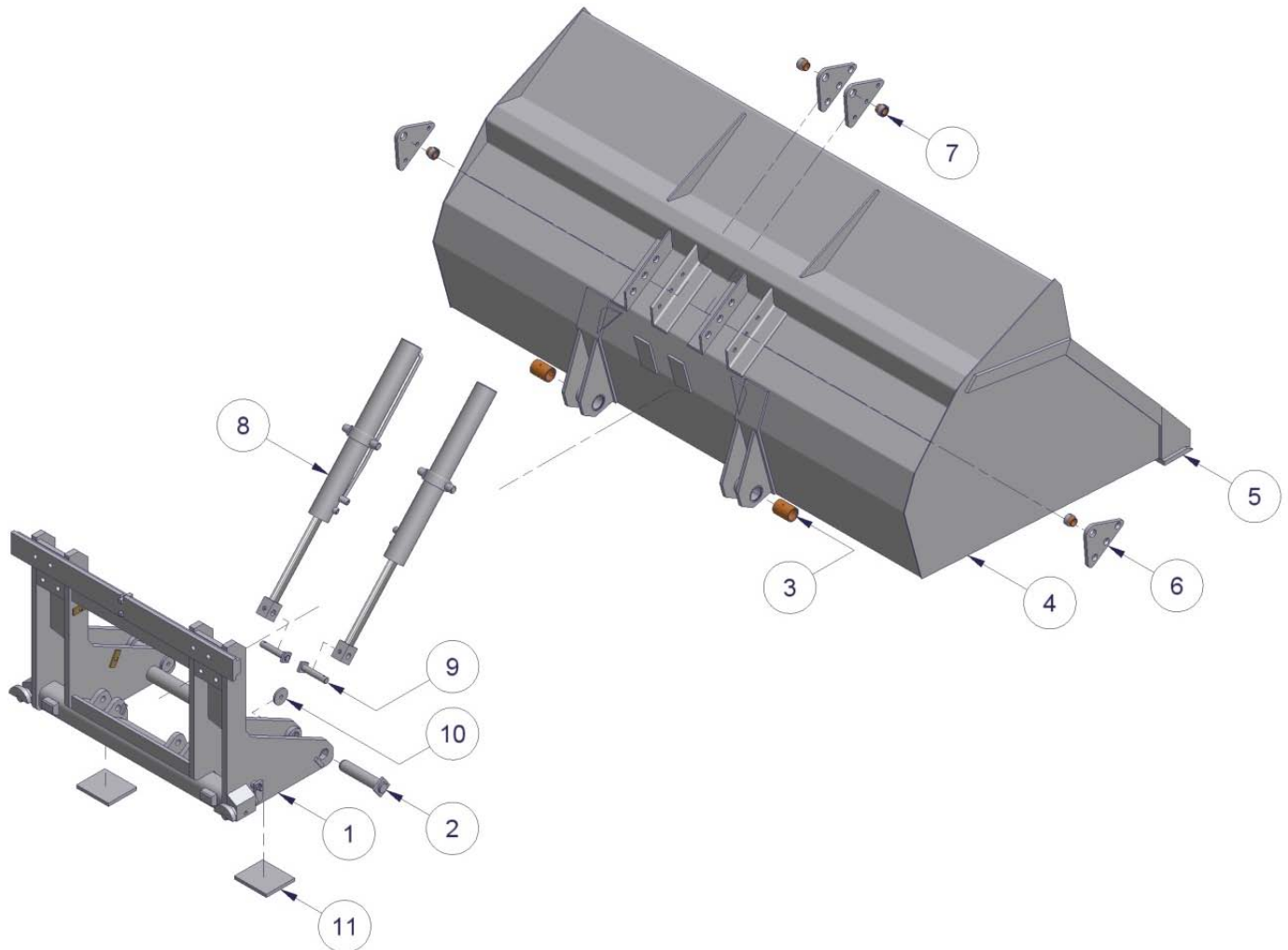


Number	Description
1	Frame
2	FEM frame pins
3	Bronze bucket bushing
4	Bucket
5	Blade
6	Cylinder plate
7	Cylinder plate bearing
8	Cylinder DW 80-35-600
9	Cylinder pin
10	Washer
11	Wearing strip

Table 2.5.1- Parts list for HO-IF on FEM II/III fork carriage with 1 cylinder

2.6 Fork carriage mounted HO-ZIF FEM III/IV with 2 cylinders

2.6.1 Parts list

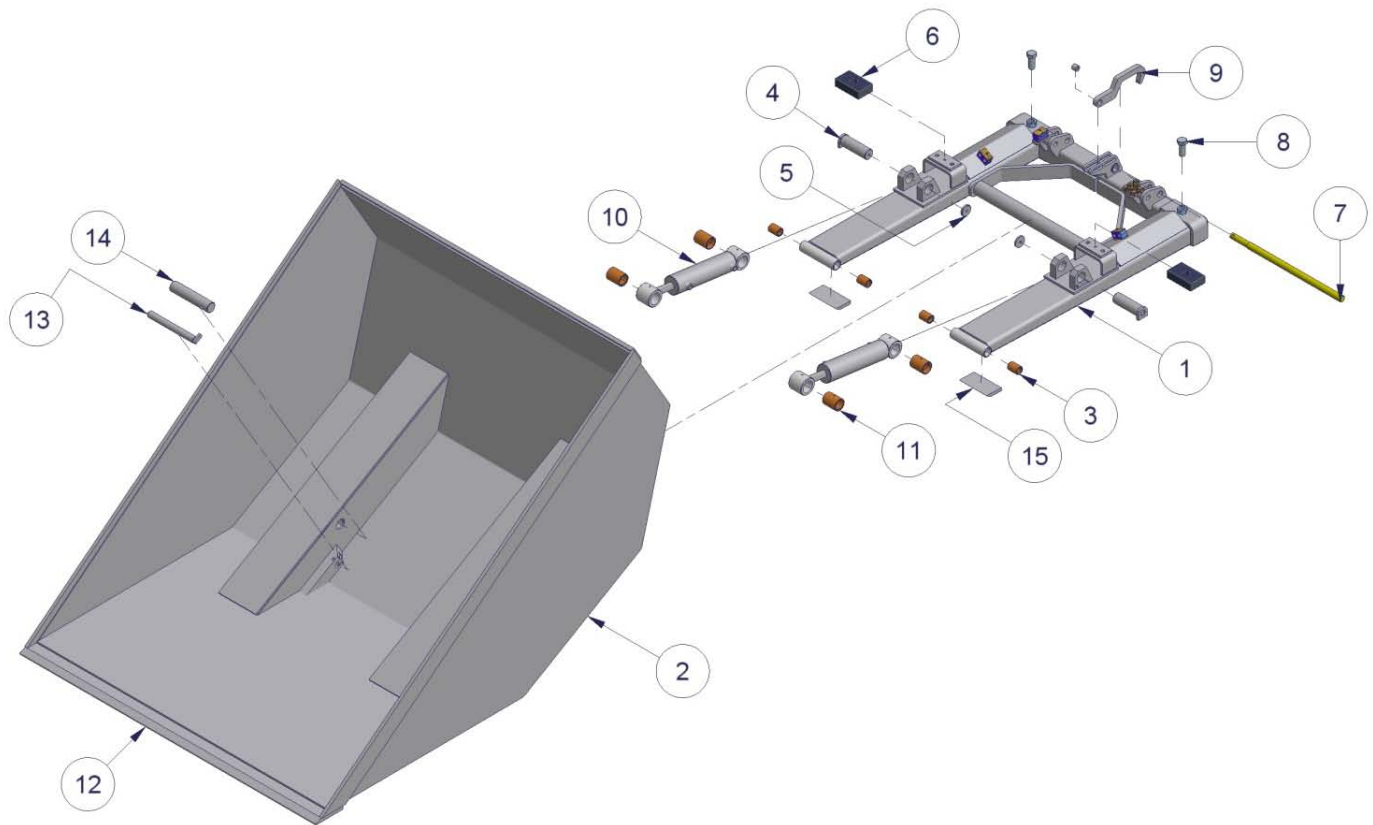


Number	Description
1	Frame
2	FEM frame pins
3	Bronze bucket bushing
4	Bucket
5	Blade
6	Cylinder plate
7	Cylinder plate bearing
8	Cylinder DW-70-35-600
9	Cylinder pin
10	Washer
11	Wearing strip

Table 2.6.1-Parts list for HO-ZIF mounted on FEM III/IV fork carriage with 2 cylinders

2.7 Fork mounted HOG

2.7.1 Parts list



Number	Description
1	Frame
2	Bucket
3	Bronze frame bushing
4	Frame pin
5	Washer
6	Bump rubber
7	Securing hook pin
8	Bolt with locknut
9	Securing hook
10	Cylinder DW-70-30-200
11	Bronze cylinder bushing
12	Blade
13	Rotary pin
14	Head pin
15	Wearing strip

Table 2.7.1-Parts list for fork mounted HOG

2.7.2 Commissioning fork mounted hydraulic bulk loading buckets

1. Place the fork lift truck or lifting mast forks the correct distance apart (830 mm centres) so that the hydraulic bulk loading bucket is located centrally in front of the vehicle.
2. Drive the vehicle forward and engage the forks as deeply as possible into the loading bucket's fork holders.
3. Use the securing hook or chain to fix the bucket frame to the fork lift truck or lifting mast fork carriage, so that the bucket cannot slip from the forks.
4. With the bucket slightly raised, the bolts must be tightened that they just clear the fork lift truck or lifting mast forks. Secure these bolts using the locknuts supplied.
5. Connect the hydraulic hoses and ensure that the quick connectors are clean so that no contamination is introduced to the machine's hydraulic system.
6. Next, check that all hydraulic hoses are free to move throughout their length, and inspect for oil leaks.
7. Check the operation of the bulk loading bucket using the hydraulic controls.

2.7.3 Commissioning of fork carrier mounted hydraulic bulk loading buckets

1. Remove the forks from the forklift truck or lifting mast.
2. Make sure the fork carrier is straight and clean.
3. Locate the loading bucket on the forklift truck or lifting mast fork carrier.
4. Make sure the locking cam slots into the recess in the centre of the fork carrier. If no recess is available:
 - a) Grind such a recess; or
 - b) Grind off the locking cam from the loading bucket cam and fit a suitable locking cam in an existing recess in the fork carrier, so that the loading bucket is positioned in the centre of the fork carrier and cannot slide sideways.
5. Lock the bucket to the fork carrier by giving the locking handles a half turn so that the profiled half discs engage at the rear of the fork carrier. Use the locking spring to secure the handles.
6. Connect the hydraulic hoses and ensure that the quick connectors are clean so that no contamination is introduced to the machine's hydraulic system.
7. Next, check that all hydraulic hoses are free to move throughout their length, and inspect for oil leaks.
8. Check the operation of the bulk loading bucket using the hydraulic controls.

The WIFO Hydraulic bulk loading bucket is now ready for use.

2.8 Replacement components


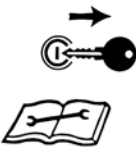
Type	Accessories	Component number
Fork mounted HO/carriage mounted HO-F	Supply and offtake hoses	HYLR180031HW
	Cylinder seal kit ¹	779185
	Cylinder seal kit ²	779187B
	Manganese wear strip 80x15-L0150	4390102
HO-750-(F)	Manganese blade 80x15-L1200	4390105
HO-1000-(F)	Manganese blade 80x15-L1600	439011
HO-1300-(F)	Manganese blade 80x25-L2000	439013
Fork mounted HO-I	Supply and offtake hoses	
	Hoses from cylinder	
	Cylinder seal kit	779185
	Boron wearing strip	4390137
HO-200-I	Boron blade 150x20-L2000	4390163
HO-225-I	Boron blade 150x20-L2250	4390166
HO-250-I	Boron blade 150x20-L2500	439017
Fork carriage mounted HO-IF	Supply and offtake hoses	
	Cylinder seal kit	779188
	Boron wearing strip	4390137
HO-150-IF	Boron blade 150x20-L1500	4390145
HO-175-IF	Boron blade 150x20-L1750	4390155
HO-200-IF	Boron blade 150x20-L2000	4390163
Fork mounted HOG	Supply and offtake hoses	
	Cylinder seal kit	
	Boron wearing strip 150x20-L150	4390137
HOG-160	Boron blade 150x20-L1600	439015
HOG-180	Boron blade 150x20-L1800	439016
Fork carriage mounted HO-ZIF	Supply and offtake hoses	
	Hoses from cylinder	
	Cylinder seal kit	779187B
	Boron wearing strip	4390137
HO-200-ZIF	Boron blade 150x20-L2000	4390163
HO-225-ZIF	Boron blade 150x20-L2250	4390166
HO-250-ZIF	Boron blade 150x20-L2500	439017

Table 2.8.1-Replacement components for WIFO hydraulic bulk loading buckets

¹ Seal kit for cylinder DW 63x35-1000, modified for fork mounted model.

² Seal kit for cylinder DW 70x35-600, modified for fork carrier mounted model.

3. Maintenance and troubleshooting

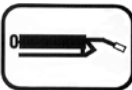
 	<p><u>Caution:</u> <i>Please read the instruction manual prior to any maintenance to the machine! Turn off the engine and remove the key from the ignition while maintenance on the machine is carried out!</i></p>
---	--

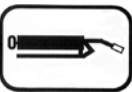
Ensure that the bulk loading bucket is in its lowest position and level on the ground. Prevent the unintended tipping and/or raising of the bucket during maintenance activities by switching off the vehicle's engine and removing the ignition key. An additional precaution would be to disconnect the hydraulic hoses.


3.1 Preventive maintenance and lubrication

After the first 8 working hours:


- Check the connections and turnbuckles of the hydraulic hoses.
- Tighten all bolts. (105 Nm)

	<p><i>This sticker shows the position of a grease nipple on the machine. Lubricate the machine after every 10 working hours. Recommended lubricants include SAE 30 oil and Grade 2 lithium-based grease.</i></p>
---	--


	<p><i>The fork mounted hydraulic bulk loading buckets type HO and HO-I are equipped with a grease nipple in each pin of the hinges. It's strongly recommended to lubricate these hinges after every 10 working hours.</i></p>
---	---

	<p><i>Regularly check the hydraulic system for any leaks. Never try and search for leaks or stop a leak by hand. Liquid under high pressure can easily penetrate skin and clothing, and may cause serious injuries. Replace any damaged hydraulic hoses to prevent bursting and subsequent injury.</i></p>
	<p><i>Regularly check the oil level of the hydraulic system of your forklift truck/tractor.</i></p>

3.2 Troubleshooting

	<p><i>Always use original WIFO parts for replacement in order to comply with the warranty terms and conditions.</i></p>
---	---

Bucket type	Problem	Solution
All types.	The bucket blade is worn.	The blade should be replaced by a competent fitter.
	The wearing strips are worn.	The wearing strips should be replaced by a competent fitter.

	<p><i>Please contact your dealer for any further concerns you may have. He will be pleased to assist.</i></p>
---	---

3.3 Work to be carried out by a competent mechanic

3.3.1 Instructions for replacement of the blade and/or wearing strips

Take adequate safety measures during grinding and welding activities (fire hazard, personal protection etc.)

1. Disconnect all hydraulic hoses.
2. Use suitable lifting equipment and place the loading bucket on a robust and level substrate so that the blade and wearing strips are easily accessible. Prevent damage to the cylinder and provide adequate support for the bucket.
3. Grind off the old blade and/or wearing strips and remove the welds from the bucket.

Blade:

4. Locate the new blade straight and level below the bucket.
 - a) With the machine positioned for lifting the load, the sharp edge of the blade must be underneath, and pointing forwards.
 - b) The blade/bucket overlap is 40mm with an 80mmx15mm manganese blade, and 75mm with a 150mmx20mm boron blade. (See figure 3.3.1)
5. Weld the upper surface of the blade along its entire length (A-height = 4).
6. Weld the rear of the blade using welds of 100mm (A height = 5) with intervals of 150mm.

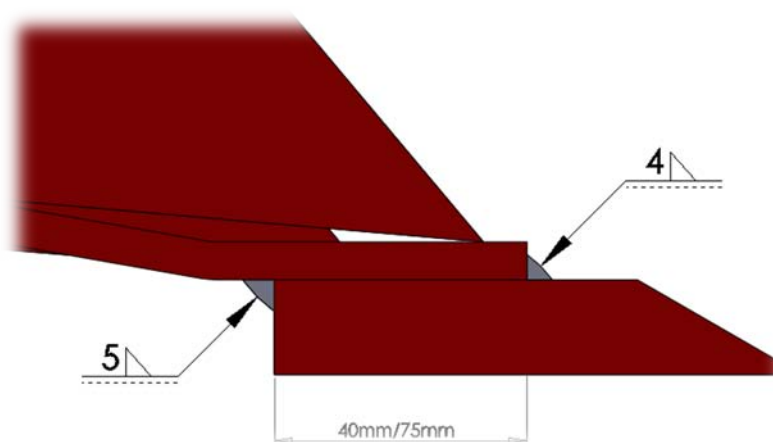


Figure 3.3.1-Blade overlap for hydraulic loading buckets

Wearing strips:

4. Locate the new wearing strips straight and level below the bucket.
 - a) With the machine positioned for lifting the load, the sharp edge of the blade must be on top, and pointing forwards.
 - b) Locate the wearing strips at 50mm from the side of the bucket.
5. Weld around the wearing strip (A height = 6).

EG-VERKLARING VAN OVEREENSTEMMING VOOR MACHINES
EC-DECLARATION OF CONFORMITY FOR MACHINERY
EG-MASCHINENÜBEREINSTIMMUNGSERKLÄRUNG
DÉCLARATION DE CONFORMITÉ "CE" POUR MACHINES

Fabrikant/Manufacturer/Fabrikant/Fabricant:

WIFO-Anema B.V.

Adres/Address/Adresse/Adresse:

Hegebeintumerdyk 37

9172 GP Ferwert

The Netherlands

Verklaart hiermede dat /Herwith declares that/Erklärt hiermit, daß/Déclare ci-après que

Serienummer/Serial number/Serienummer/Numéro de série:

Uitvoering/Model/Ausführung/Modèle:

- Voldoet aan de bepalingen van de Machinerichtlijn (Richtlijn 2006/42/EG, zoals laatstelijk gewijzigd) en de nationale wetgeving ter uitvoering van deze richtlijn;
- Is in conformity with the provisions of the Machine Directive (Directive 2006/43/EC, as amended) and with national implementing legislation;
- Konform ist min den einschlägigen Bestimmungen der EG-Maschinerichtlinie (EG-Richtlinie 2006/42/EG), inclusive deren Änderunge, sowie mit dem entsprechenden Rechtserlaß zur Umsetzung der Richtlinie in nationales Recht;
- Est conforme aux dispositions de la Directive "Machines" (Directive 2006/42/EC telle que dernièrement modifiée) et la législation nationale adoptée en application de ladite directive.

Ferwert, March 2009



Wytze Anema
(Director)