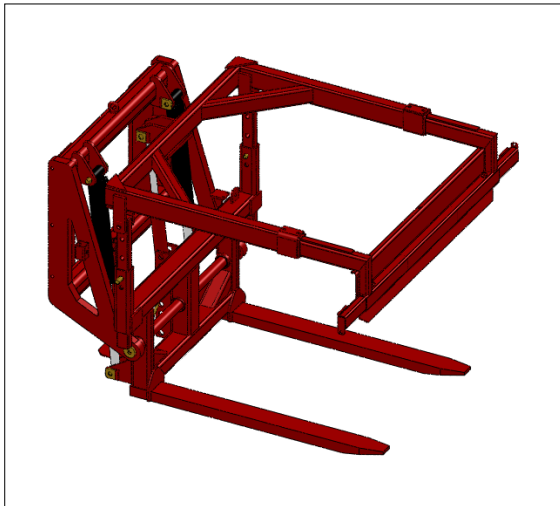
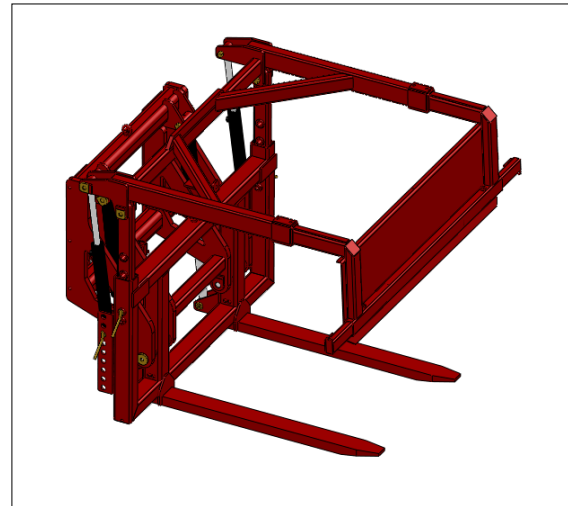


K75A/K75B/K80/K85

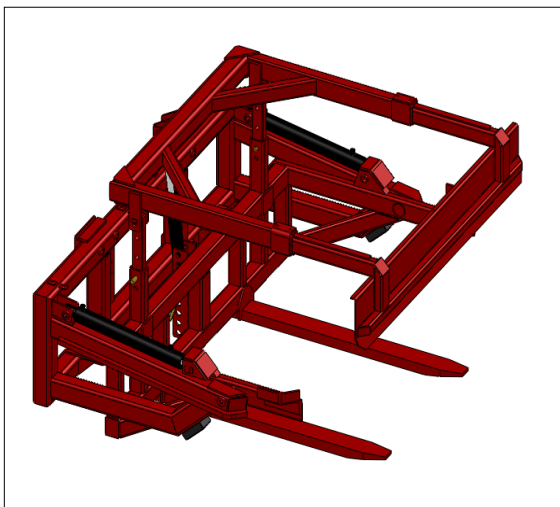
Forward tipping box rotator



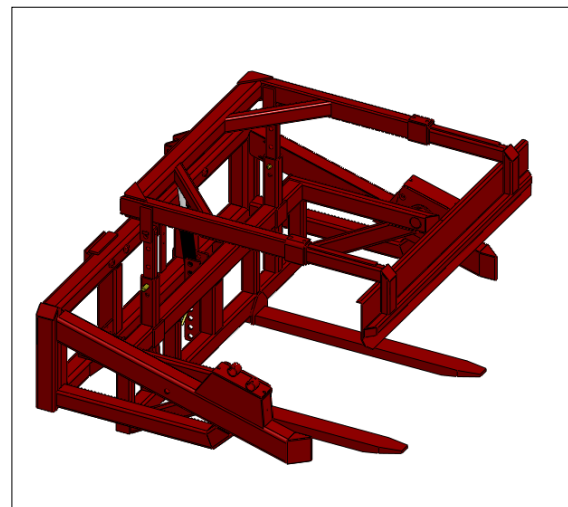
K75A



K75B



K80



K85





English

Table of contents

1. TO THE USER	2
1.1 INTRODUCTION	2
1.2 SAFETY PRECAUTIONS AND WARNINGS	3
1.2.1 <i>Safety precautions</i>	3
1.2.2 <i>Safety stickers and warning signs</i>	6
1.2.3 <i>Location of the safety stickers on the machine</i>	6
1.3 PURPOSE OF USE	7
1.4 LIABILITY	8
1.5 WARRANTY	8
2. TECHNICAL DATA	9
2.1 GENERAL TECHNICAL DATA	9
2.2 K75A	11
2.2.1 <i>Parts list</i>	11
2.3 K75B	12
2.3.1 <i>Parts list</i>	12
2.3.2 <i>Commissioning the K75A and K75B box rotators</i>	13
2.4 K80	15
2.4.1 <i>Parts list</i>	15
2.5 K85	16
2.5.1 <i>Parts list</i>	16
2.5.2 <i>Commissioning the K80 and K85 box rotators</i>	17
2.6 PROVISIONS FOR CONNECTING K75A/K75B/K80/K85	19
2.7 REPLACEMENT COMPONENTS	20
3. MAINTENANCE AND TROUBLESHOOTING	21
3.1 PREVENTIVE MAINTENANCE AND LUBRICATION	21
3.2 TROUBLESHOOTING	22
3.2.1 <i>Adjustment of electrical limit switch</i>	22
3.2.2 <i>Adjustment of hydraulic limit switch</i>	23

1. To the user

1.1 Introduction

The aim of this manual is to inform users about the commissioning, use and maintenance of their new WIFO forward tipping box rotator. Also included in this manual are a number of safety instructions to create a safe working environment.

At WIFO-Anema B.V. we aim to continuously improve our products. WIFO-Anema B.V. reserve the right to introduce any changes and improvements deemed necessary without prior notice.

Please read the manual thoroughly and observe the safety procedures before putting the unit into operation. Contact your dealer for any further questions or concerns you may have.

We trust that your WIFO forward tipping box rotator will provide many years of useful service.



ATTENTION:

Carefully read this manual before you put the machine into operation and act upon all directions that are given. This is to guarantee its safe, trouble-free operation.


Keep this manual in a safe place for future reference!


WIFO-Anema B.V.

Dealer:

1.2 Safety precautions and warnings

Please read this manual before you put the machine into operation for the first time, and observe the safety instructions at all times. The most important instructions are marked with a symbol.

	<p><i>This symbol is used for all important safety instructions throughout this manual. Carefully observe the instructions and be very cautious.</i></p>
---	--

	<p><i>This symbol is used for all important actions that should not be carried out under any circumstances. Carefully observe these prohibitions.</i></p>
---	---

Any person in charge of the commencement of operation, the operation itself or the maintenance of the machine is urged to carefully read and observe the following instructions.

1.2.1 Safety precautions

The following safety instructions apply to all types of WIFO forward tipping box rotators. No distinction is made with regard to the type of lifting vehicle used.

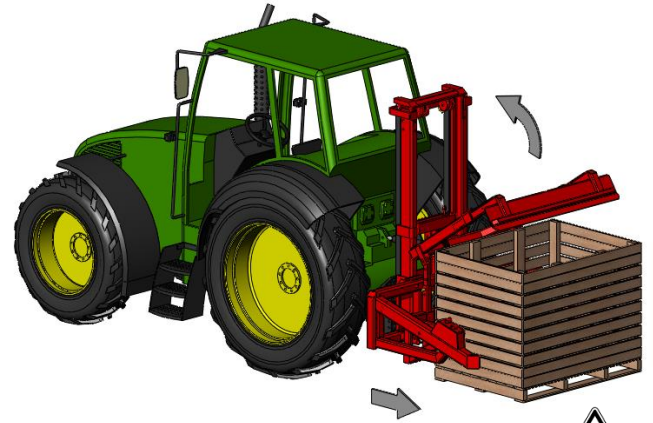


Do not allow anyone to hitch a ride.

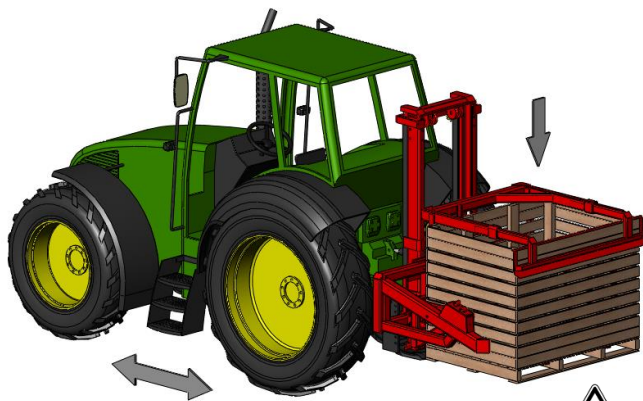
Persons must not stand below the load, and must remain outside the tipping range of the equipment. Bear in mind that items may fall from the box.



Adjust the upper clamp to take account of the height and depth of the boxes to be tipped.



Raise the upper clamp using the clamping cylinder before picking up the box with the box rotator. Distribute the load as evenly as possible over the forks.




Keep the load as low as possible during transportation to maximise the stability of the lifting vehicle. Boxes must always be clamped during transportation.




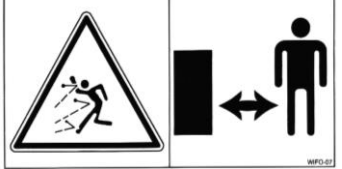
<p><i>Only solid boxes must be used for tipping operations.</i></p>
<p><i>The box rotator must only be operated from the driver's position in the vehicle. Ensure that there is adequate visibility of the work activities from this position</i></p>
<p><i>Make sure the hydraulic hoses and any power cables do not get jammed and that the box rotator is able to move freely.</i></p>
<p><i>Ensure that the operating levers for tipping and clamping cannot be confused with each other or with other controls, in order to prevent unintended operation. Only the rotating cylinder function remains in the event of a power cut while operating an electrically controlled valve.</i></p>
<p><i>The tipper must be placed in its lowest position when parking the lifting vehicle. Ensure that the clamp/vehicle combination cannot make any unintended movements while the vehicle is not in use. Place the rotator on its back on a flat, stable surface after it has been removed from the forklift truck / mast for storage.</i></p>

1.2.2 Safety stickers and warning signs

	<p><i>A safe working environment also requires personnel to be well-informed about the various safety stickers on the machine. Be aware of the hazards they warn you to look out for.</i></p> <p><i>Replace any loose, illegible or missing stickers.</i></p>
---	---

Several safety stickers have been put onto the machine. The meaning of the stickers on this machine is as follows:

	<p><u>N.B.:</u> <i>Please read the instruction manual prior to any maintenance to the machine. Turn off the engine and remove the key from the ignition while maintenance is carried out on the machine!</i></p>	1
---	--	---

	<p><u>Danger:</u> <i>Always keep at a safe distance from the machine!</i></p>	2
--	---	---

1.2.3 Location of the safety stickers on the machine

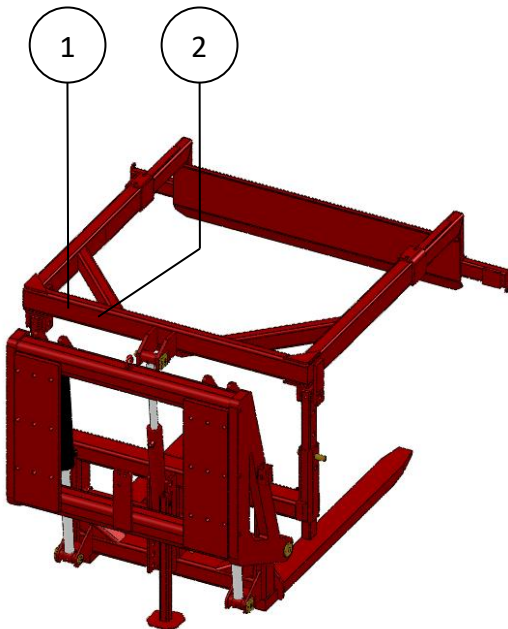


Figure 1.2.1-Location of safety stickers for K75A

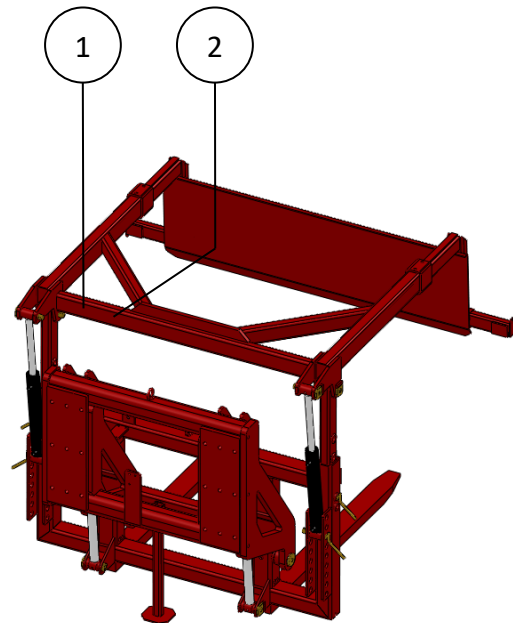


Figure 1.2.2-Location of safety stickers for K75B

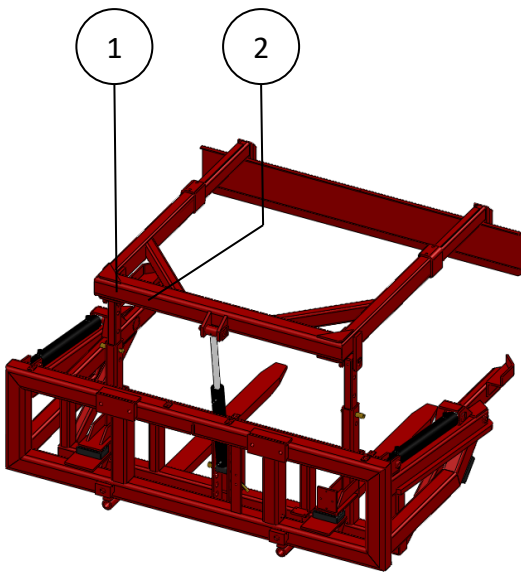


Figure 1.2.3-Location of safety stickers for K80

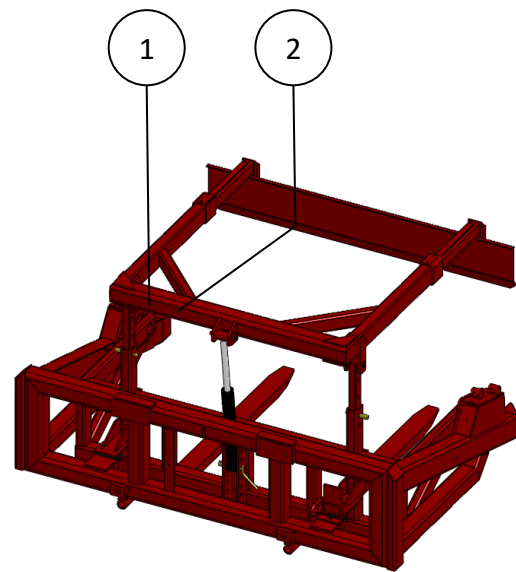


Figure 1.2.4-Location of safety stickers for K85

1.3 Purpose of use

WIFO **K75A and K75B** forward tipping box rotators are suitable only for the transportation and forward tipping of boxes, provided the total weight of the box and its load does not exceed 1750kg for the K75A and 2750kg for the K75B.



ATTENTION:

The capacity of the reach truck must exceed the total mass of the forward tipping box rotator, the box and its load. The reach truck must be equipped with a double action hydraulic connection on the telescopic boom.

WIFO **K80 and K85** forward tipping box rotators are suitable only for the transportation and forward tipping of boxes, provided the total weight of the box and its load does not exceed 2500kg. These box rotators are suitable only for attachment to the FEM II or FEM III fork carrier of a forklift truck or lifting mast.



ATTENTION:

The capacity of the forklift truck or lifting mast must exceed the total mass of the forward tipping box rotator, the box and its load. The forklift truck or lifting mast must be equipped with a double action hydraulic connection at the fork carrier, as a minimum. The format will depend on the width of the boxes to be tipped.

The box rotator must in no circumstances be used for the carriage of persons!

1.4 Liability

Any person working with or on the machine must have read this manual. The machine is to be used for its intended purpose only. Included in the intended purpose are, among other things:

1. Work must be carried out in accordance with the directions and within the functional restrictions (e.g. maximum hydraulic working pressure) as outlined in the regulations. Use only sound and appropriate tools.
2. Electric/electronic equipment and accessories (e.g. cables) must be treated in accordance with the general accepted policy for using non-waterproof portable electric and electronic equipment, such as:
 - a) Storing and keeping in a clean, dry environment away from rodents and the like; and
 - b) Protecting the equipment against severe, uncushioned shocks and water (precipitation).
3. Use only original or compatible spare parts. Such parts must be assembled as directed (e.g. by observing the recommended tightening moments). Spare parts (as well as lubricants) are considered compatible only if explicitly approved by WIFO or in the event that the customer is able to prove they possess the required properties for the purpose(s) they are used.
4. Use only lubricants that meet the specifications as described in the directions.
5. Always observe the local regulations in terms of accident prevention, safety, traffic and transport.
6. Only trained personnel with knowledge of the possible hazards have permission to work with/on the machine.
7. WIFO-Anema B.V. will assume no liability in any shape or form for losses or damage caused following modifications to the machine, which have not been explicitly approved by WIFO.



Noncompliance with the rules and directions from this manual will be considered as serious negligence, for the consequences of which WIFO-Anema B.V. accepts no liability whatsoever. In such cases, the user will bear the full risk of his actions!

WIFO-Anema B.V. is continuously working on the improvement of its products. For that reason, WIFO-Anema B.V. reserves the right to introduce any changes and improvements deemed necessary without prior notice. However, it does not imply an obligation to make any such changes or improvements to machines bought by customers in the past!

1.5 Warranty

WIFO-Anema B.V. guarantees the soundness of its products in terms of materials used and/or structural defects. However, in any event this warranty is limited to the free-of-charge replacement or repairs of the defect product, or part thereof. WIFO-Anema B.V. assumes no liability for any loss or damage arising from faulty deliveries and/or the breakdown of purchased goods before the warranty period has expired. **The warranty period for this product is twelve months.**

2. Technical data

2.1 General technical data

Type	K75A	K75B
Max. carrying capacity	1750 kg	2750 kg
Weight	615 kg	725 kg
Max. working pressure	18 Mpa (180 bar)	18 Mpa (180 bar)
Centre of gravity	500 mm	531 mm
Frontal extension length	500 mm	500 mm
Transport width	1300 mm	1600 mm
Tipping angle ¹	± 110°/180°	±110°/180°

Table 2.1.1-K75A and K75B forward tipping box

¹ Without inclination of reach truck or shovel frame/with inclination of reach truck or shovel frame.

The K75A and K75B are suitable for attachment to reach trucks.

Type	K80-1200	K80-1400	K80-1600	K80-1800
Max. carrying capacity	2500 kg	2500 kg	2500 kg	2500 kg
Weight	580 kg	610 kg	640 kg	670 kg
Max. working pressure	18 Mpa (180 bar)	18 Mpa (180 bar)	18 Mpa (180 bar)	18 Mpa (180 bar)
Centre of gravity	560 mm	560 mm	560 mm	560 mm
Frontal extension length	440 mm	440 mm	440 mm	440 mm
Transport width	1586 mm	1786 mm	1986 mm	2186 mm
Tipping angle	135°	135°	135°	135°
Type	K80-2000			
Max. carrying capacity	2500 kg			
Weight	700 kg			
Max. working pressure	18 Mpa (180 bar)			
Centre of gravity	560 mm			
Frontal extension length	440 mm			
Transport width	2386 mm			
Tipping angle	135°			

Table 2.1.2-K80 forward tipping box

The K80 forward tipping box rotator is suitable for attachment to FEM II (407mm) and FEM III (508mm) fork carriers.

Type	K85-1200	K85-1400	K85-1600	K85-1800
Max. carrying capacity	2500 kg	2500 kg	2500 kg	2500 kg
Weight	700 kg	725 kg	745 kg	765 kg
Max. working pressure	18 Mpa (180 bar)	18 Mpa (180 bar)	18 Mpa (180 bar)	18 Mpa (180 bar)
Centre of gravity	625 mm	625 mm	625 mm	625 mm
Frontal extension length	440 mm	440 mm	440 mm	440 mm
Transport width	1656 mm	1856 mm	2056 mm	2256 mm
Tipping angle	180°	180°	180°	180°
Type	K85-2000			
Max. carrying capacity	2500 kg			
Weight	790 kg			
Max. working pressure	18 Mpa (180 bar)			
Centre of gravity	625 mm			
Frontal extension length	440 mm			
Transport width	2456 mm			
Tipping angle	180°			

Table 2.1.3-K85 forward tipping box

The K85 forward tipping box rotator is suitable for attachment to FEM II (407mm) and FEM III (508mm) fork carriers.

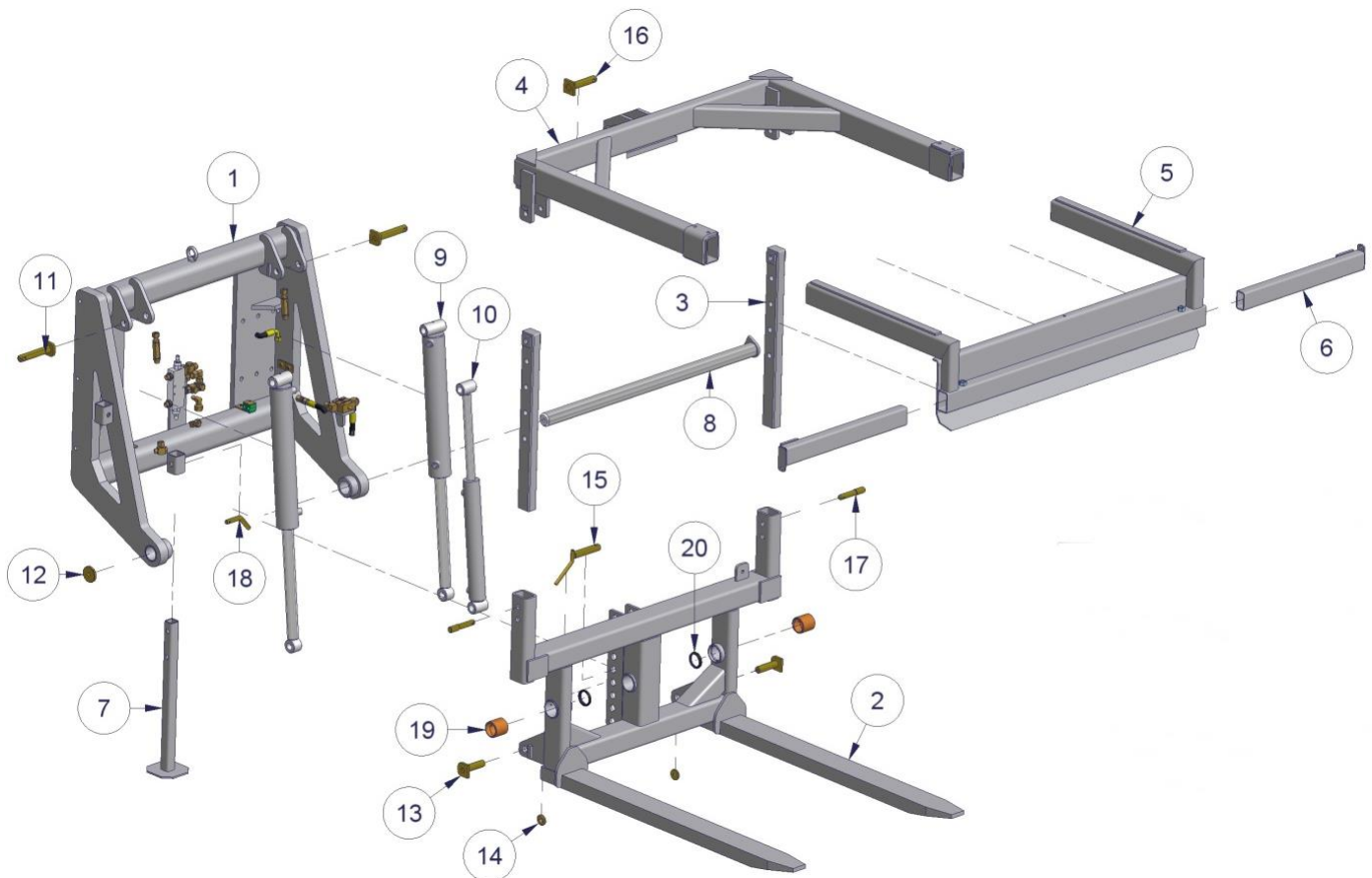
Type	Letter	Description
K75A/K75B/K80/K85	E	Electrically controlled switching valve
	S	4-hose connection
	V	Sequence valves

Table 2.1.4-Description data on model plate

The box rotators are equipped with an electric or hydraulic limit switch to prevent unintended opening of the upper clamp during tipping. The upper clamp can only be opened when the tipping frame is horizontal.

2.2 K75A

2.2.1 Parts list

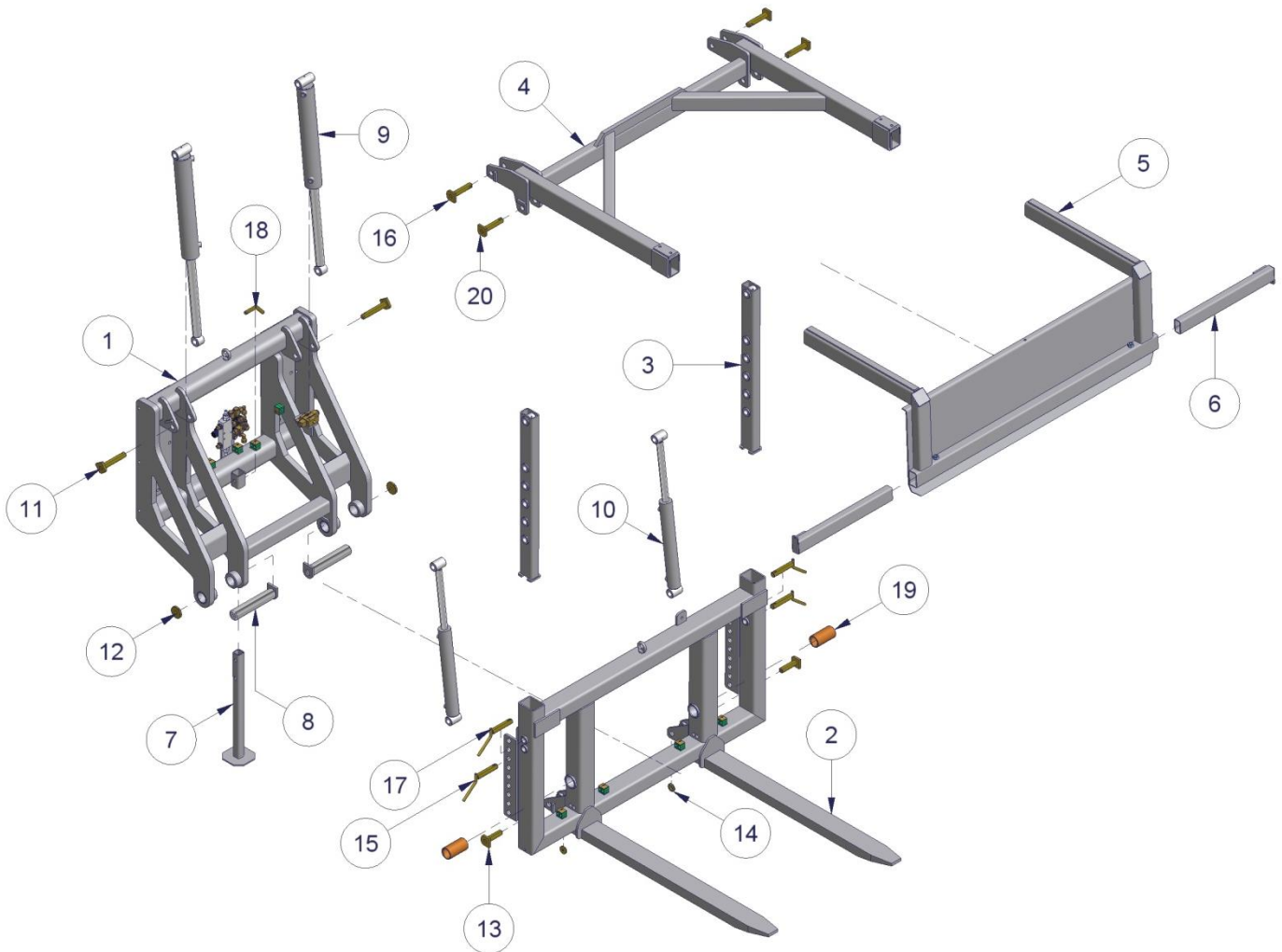


Number	Description	Number	Description
1	Main frame	11	Tipping cylinder bush side pin
2	Tipping frame	12	Tipping axle washer
3	Upper clamp height adjustment	13	Tipping cylinder piston rod side pin
4	Upper clamp	14	Tipping cylinder piston rod side washer
5	Upper clamp valve	15	Clamping cylinder bush side pin
6	Upper clamp slide tube	16	Clamping cylinder piston rod side pin
7	Support leg	17	Height adjustment pin
8	Tipping axle	18	Support leg pin
9	Rotating cylinder DW 70-40-410	19	Bronze bearing bush
10	Clamping cylinder DW 50-30-330	20	Stripper R50

Table 2.2.1-Parts list for K75A

2.3 K75B

2.3.1 Parts list



Number	Description	Number	Description
1	Main frame	11	Tipping cylinder bush side pin
2	Rotating frame	12	Tipping pin washer
3	Upper clamp height adjustment	13	Tipping cylinder piston rod side pin
4	Upper clamp	14	Tipping cylinder piston rod side washer
5	Upper clamp valve	15	Clamping cylinder bush side pin
6	Upper clamp slide tube	16	Clamping cylinder piston rod side pin
7	Support leg	17	Height adjustment pin
8	Tilting pin	18	Support leg pin
9	Rotating cylinder DW 70-40-410	19	Bronze bearing bush
10	Clamping cylinder DW 70-40-410	20	Upper clamp rotation point pin

Table 2.3.1-Parts list for K75B

2.3.2 Commissioning the K75A and K75B box rotators

Type K75A and K75B forward tipping box rotators can be supplied with the necessary fitting components or without (bare machine). In the former case users must make their own arrangements for the attachment. In the latter case, the type of machine to which the K75A or K75B is to be fitted should be specified. Where available fitting can take place in the factory, and the normal guarantee provisions will apply.



ATTENTION:

WIFO-Anema B.V. can accept no liability for the construction and mounting of fitting equipment attached by users themselves.

Connection of hydraulic hoses

1. Bear in mind that with an electrically controlled switching valve, 1 double action hydraulic connection must be present on the lifting vehicle, and with a 4-hose connection, 2 double action hydraulic connections.

Depending on the model, the following hydraulic hoses are connected:

a) Electrically controlled reversing valve

Connect the hydraulic supply/discharge hoses to the dual-action connection on the fork carrier.

Install the supplied switch so that the machine driver is able to operate it from his driving position and cannot confuse it with other controls. For a safe working environment, avoid situations such as inadvertently starting the machine or not being able to control it.

Keep an eye on the correct voltage of the lifting device and the valve. The voltage is shown on the coil. Connect a twin core cable in accordance with the circuit diagram. Include a warning light, fuse and/or plug socket in the circuit if required.

b) Four-hose connection

Connect the two pairs of hydraulic supply/discharge hoses to the dual-action connection on the fork carrier.

Adjusting the upper clamp

1. If the box is raised at all, the upper clamp should be horizontal or sloping on the box in the direction of the valve front plate. This can be adjusted as follows:
 - Remove the pins and securing clips from the upper clamp and the pin and securing clip from the clamping cylinder.
 - Using the box and the pins with their securing clips, adjust the height of the upper clamp.
 - Set the upper clamp vertically, slide the clamping cylinder(s) fully home and secure to the tipping frame using the pin. With the clamping cylinder in its extended position, the upper clamp will now pass around 10° through the 90° position. This is sufficient to clamp the box.

2. With the back of the box against the tipping frame, the front plate of the upper clamp should be just on the edge of the box, against the front of the box. This can be adjusted as follows:
 - Loosen the upper clamp securing bolts.
 - Slide the valve up against the box and retighten the upper clamp using the securing bolts and locknuts (105Nm).
 - The slide out tubes should be adjusted so that they fit just within the width of the box.

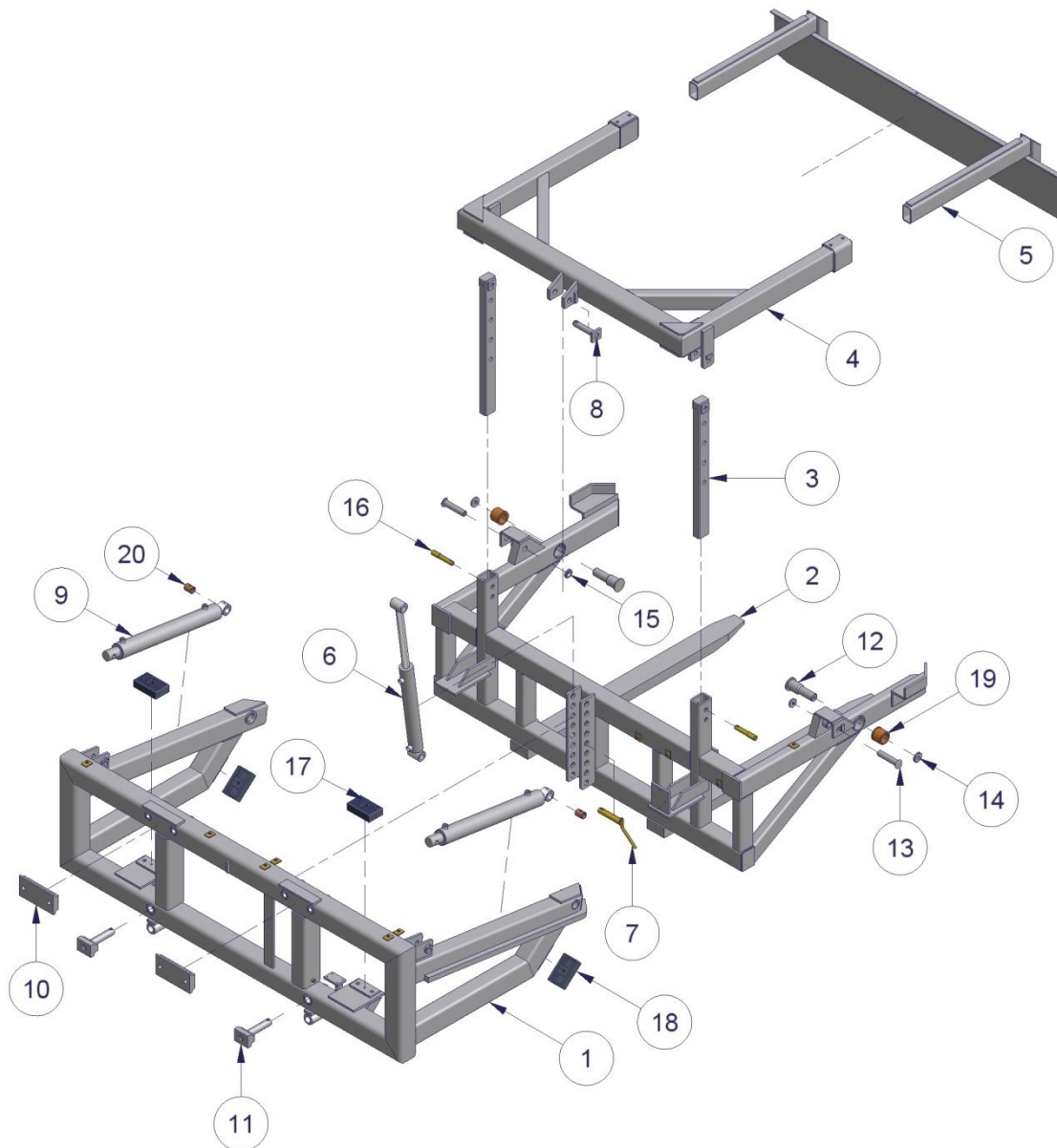


Ensure that the hydraulic hoses and electrical cables cannot become trapped during use.

The WIFO forward tipping box rotator is now ready for use.

2.4 K80

2.4.1 Parts list

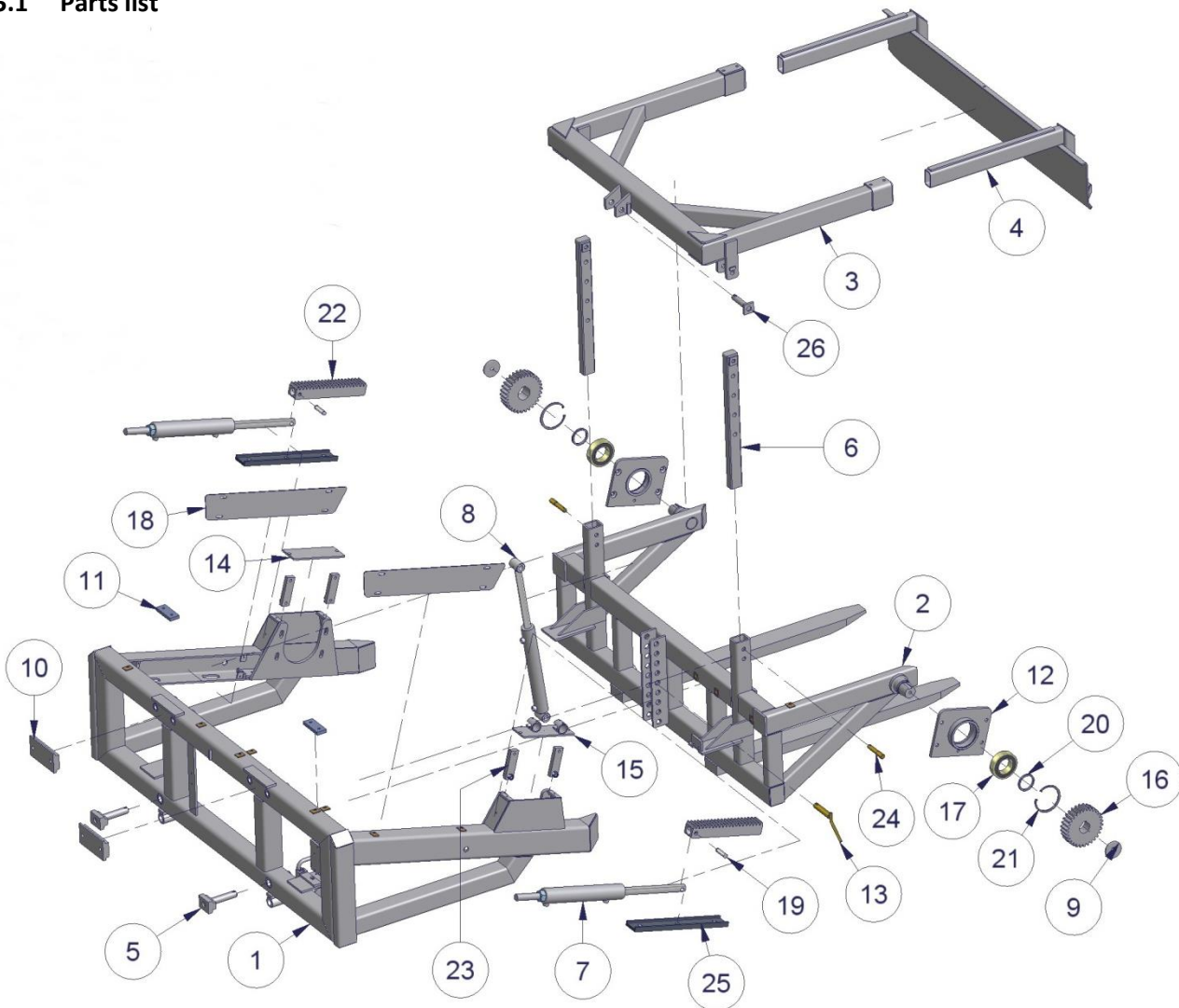


Number	Description	Number	Description
1	Fixed frame	11	Clamping plate FEM II/III
2	Rotating frame	12	Rotary pin
3	Upper clamp adjustment beam	13	Cylinder pin
4	Upper clamp slide-in frame	14	Rotating point pin
5	Upper clamp	15	Cylinder washer
6	Clamping cylinder DW 50-30-330	16	Rotary pin
7	Category II top pin	17	Bump rubber
8	Clamping cylinder pin	18	Bump rubber
9	Rotating cylinder DW 60-30-410	19	Bronze bushing
10	FEM II/III mounting block	20	Bronze tipping cylinder bushing

Table 2.4.1-Parts list for K80 forward tipping box rotator

2.5 K85

2.5.1 Parts list



Number	Description	Number	Description
1	Fixed frame	14	Cover plate
2	Rotating frame	15	Cover plate
3	Slide-in upper clamp	16	Gear wheel
4	Upper clamp	17	Bearing
5	FEM II/III clamp pin	18	Cover plate
6	Upper clamp adjustment beam	19	Tipping cylinder pin
7	Tipping cylinder DW 60-35-280	20	Washer
8	Clamping cylinder DW 50-30-330	21	Locking ring
9	Locking plate	22	Rack
10	FEM II/III mounting block	23	Clamping plate
11	Bump rubber	24	Rotary pin
12	Bearing plate, complete	25	Guide block
13	Category II top pin	26	Clamping cylinder pin

Table 2.5.1-Parts list for K85 forward tipping box rotator

2.5.2 Commissioning the K80 and K85 box rotators

Different methods are used to fit the mounting blocks and clamping plate, depending on the type of fork carrier used. These are described below.

FEM II fork carrier

1. Loosen the FEM II/III mounting block bolts and remove the mounting blocks.
2. Reattach the mounting blocks using the bolts, so that the FEM II is underneath. Tighten the bolts securely (200Nm).
3. Remove the clamping plate with the pins and retaining clips.
4. Remove the forks from the forklift truck or forklift mast.
5. Make sure the fork carrier is straight and clean.
6. Place the box rotator on the forklift truck or lifting mast fork carrier, depending on the box dimensions.
7. Make sure the locking cam slots into the recess in the centre of the fork carrier. If no recess is available:
 - a) Grind such a recess; or
 - b) Grind the locking cam from the box rotator and attach a sound locking cam on the spot of an existing recess in the fork carrier. In doing so, make sure the box rotator sits secure in the centre in front of the fork carrier, so it is unable to slide sideways
8. Attach the clamping plate to the fork carrier profile with the FEM II profile above, using the 9x11 pins and retaining clips.
9. Check to make sure the hydraulic hoses are clean before connecting them to the rapid-action couplings to prevent any debris from entering the hydraulics of the machine.
10. Depending on the model, the following hydraulic hoses are connected:
 - a) **Electrically controlled switching valve**

Connect the hydraulic supply/discharge hoses to the dual-action connection on the fork carrier. Install the supplied switch so that the machine driver is able to operate it from his driving position and cannot confuse it with other controls.

For a safe working environment, avoid situations such as inadvertently starting the machine or not being able to control it.

Keep an eye on the correct voltage of the lifting device and the valve. The voltage is shown on the coil. Attach a twin core cable in accordance with the circuit diagram. Include a warning light, fuse and/or plug socket in the circuit if required.
 - b) **Four-hose connection**

Connect the two pairs of hydraulic supply/discharge hoses to the dual-action connection on the fork carrier.

FEM III fork carrier

1. See FEM II fork carrier, however the mounting blocks must be fitted with the FEM III profile below, while the clamping plate should have its FEM III profile above.

Adjusting the upper clamp

1. If the box is raised at all, the upper clamp should be horizontal or sloping on the box in the direction of the valve front plate. This can be adjusted as follows:
 - Remove the pins and securing clips from the upper clamp and the pin and securing clip from the clamping cylinder.
 - Using the box and the pins with their securing clips, adjust the height of the upper clamp.
 - Set the upper clamp vertically, slide the clamping cylinder(s) fully home and secure to the tipping frame using the pin. With the clamping cylinder in its extended position, the upper clamp will now pass around 10° through the 90° position. This is sufficient to clamp the box.

2. With the back of the box against the tipping frame, the front plate of the upper clamp should be just on the edge of the box, against the front of the box. This can be adjusted as follows:
 - Loosen the upper clamp securing bolts.
 - Slide the valve up against the box and retighten the upper clamp using the securing bolts and locknuts (105Nm).
 - The slide out tubes should be adjusted so that they fit just within the width of the box.

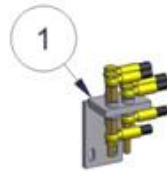


Ensure that the hydraulic hoses and electrical cables can not become trapped during use.

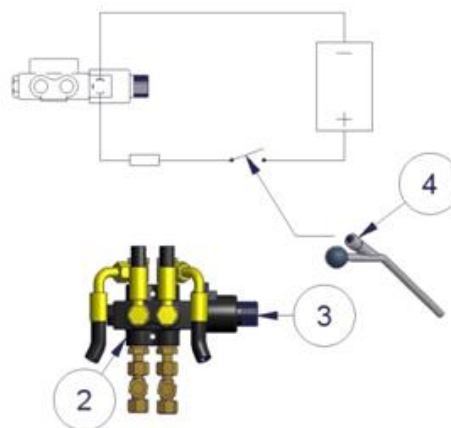
The WIFO forward tipping box rotator is now ready for use.

2.6 Provisions for connecting K75A/K75B/K80/K85

With four-hose connection



With electro/hydraulic valve



Number	Description	Note
		- 4-hose model
1	Feed-through block 4-hose connection	-
		- Electrically operated model
2	Electro-hydraulic valve	-
3	Electro-hydraulic valve coil	-
4	Switch on forklift truck handle	-


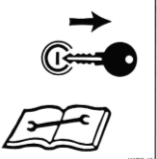
Table 2.6.1-Parts list for K75A/K75B/K80/K85 connections

2.7 Replacement components

Box rotator model	Description	Component no.	
All models	Electrical switch	429060	
	Hydraulic switch	429059	
K75A	Forward tipping box rotator supply and offtake hoses	HYLR180031HW	
	Supply/discharge hoses to rotating cylinder	HYLR040031WW90	
	Supply/discharge hoses to clamping cylinder	HYLR080031WW90	
	Rotating cylinder seal kit	7792862	
	Clamping cylinder seal kit	7792823	
	Stripper $\varnothing 50 \times 60 \times 7/10$	4290315	
K75B	Forward tipping box rotator supply and offtake hoses	HYLR180031HW	
	Supply/discharge hoses to rotating cylinder	HYLR080031WW90	
	Supply/discharge hoses to clamping cylinder left	HYLR060031WW90	
	Supply/discharge hoses to clamping cylinder left	HYLR040031WW90	
	Rotating cylinder seal kit	7792862	
	Clamping cylinder seal kit	7792823	
K80	Supply/discharge hoses to rotating cylinder	HYLR070031WW	
	Supply/discharge hoses to rotating cylinder	HYLR080031WW	
	Supply/discharge hoses to clamping cylinder	HYLR060031WW90	
	Hose to hose connector	HYLR080031WW90	
	Rotating cylinder seal kit	779283	
	Clamping cylinder seal kit	7792823	
	Model without electrical control valve		
	Supply and offtake hoses	HYLR095031WW	
	Model with electrical control valve		
	Tipping cylinder control slide circuit hoses	HYLR060031WW90	
Clamping cylinder control slide circuit hoses	HYLR070031WW		
Supply and offtake hoses	HYLR095031WW		
K85	Supply/discharge hoses to tipping cylinder	HYLR080031WW90	
	Supply/discharge hoses to tipping cylinder	HYLR060031WW90	
	Supply/discharge hoses to clamping cylinder	HYLR060031WW90	
	Hose to hose connector	HYLR080031WW90	
	Rotating cylinder seal kit	779284	
	Clamping cylinder seal kit	7792823	
	Model without electrical control valve		
	Supply and offtake hoses	HYLR070031WW	
	Model with electrical control valve		
	Tipping cylinder control slide circuit hoses	HYLR080031WW90	
Clamping cylinder control slide circuit hoses	HYLR070031WW		
Supply and offtake hoses	HYLR085031HW		

Table 2.7.1- Replacement components for WIFO forward tipping box rotators

3. Maintenance and troubleshooting

 	<p><i>N.B.</i> <i>Please read the instruction manual prior to any maintenance to the machine. Turn off the engine and remove the key from the ignition while maintenance is carried out on the machine!</i></p>
---	--

The forward tipping box rotator must be placed in its lowest position when maintenance or repairs are carried out. Prevent the unintended tipping and/or raising of the rotator during maintenance activities by switching off the vehicle's engine and removing the ignition key. An additional precaution would be to disconnect the hydraulic hoses.

3.1 Preventive maintenance and lubrication

After the first 8 working hours:

- Check the connections and turnbuckles of the hydraulic hoses.
- Tighten all bolts.

Lubrication of the rack of the K85 should be done as follows:

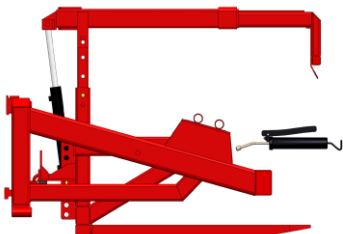


Figure 3.1.1-Lubrication frontside in 0° position

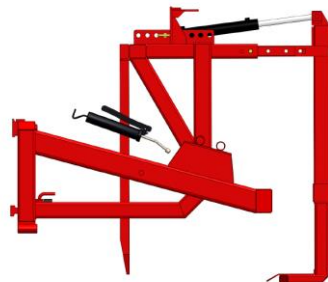
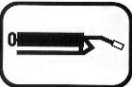



Figure 3.1.2-Lubrication backside in 90° position

	<p><i>This sticker shows the position of a grease nipple on the machine. Lubricate the machine after every 10 working hours. Recommended lubricants include SAE 30 oil and Grade 2 lithium-based grease.</i></p>
---	--

	<p><i>Regularly check the hydraulic system for any leaks. Never try and search for leaks or stop a leak by hand. Liquid under high pressure can easily penetrate skin and clothing, and may cause serious injuries. Replace any damaged hydraulic hoses to prevent them from breaking and any accidents as a result.</i></p>
	<p><i>Regularly check the oil level of the hydraulic system of your forklift truck / tractor.</i></p>

3.2 Troubleshooting

Forward tipping box rotator type	Problem	Solution
K75A/K75B/K80/K85 with electrical limit switch.	The upper clamp fails to rise when operated.	See section 3.2.1.
K75A/K75B/K80/K85 with hydraulic limit switch.	The upper clamp fails to rise when operated.	See section 3.2.2.

Table 3.2.1-Troubleshooting

3.2.1 Adjustment of electrical limit switch

The K75A/K75B/K80/K85 forward tipping box rotator is protected against unintended opening of the upper clamp during tipping by means of an electrical limit switch. See figure 3.2.1. If the upper clamp fails to open in its horizontal position, check whether the limit switch is operated. If not, the limit switch must be raised to the point where it does operate.

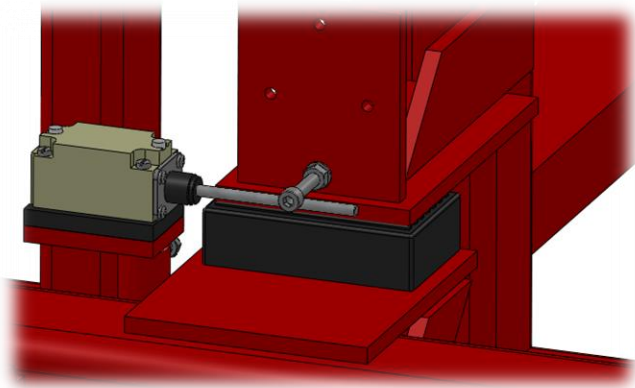


Figure 3.2.1-Electrical limit switch

1. Check that the tipping frame is horizontal and resting on its bump rubbers.
2. Loosen the adjusting tube bolt and locknut. See figure 3.2.2.
3. Locate the electrical limit switch at the correct height, so that it comes up against the bolt on the tipping frame. Check that the limit switch operates.
4. Securely retighten the bolt and locknut in the adjusting tube.
5. Check that the forward tipping box rotator operates correctly.

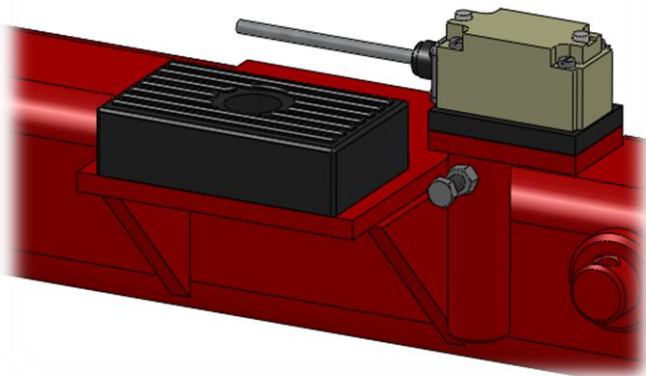


Figure 3.2.2-Electrical limit switch adjusting tube

3.2.2 Adjustment of hydraulic limit switch

The K75A/K75B/K80/K85 forward tipping box rotator is protected against unintended opening of the upper clamp during tipping by means of a hydraulic limit switch. See figure 3.2.3. If the upper clamp fails to open in its horizontal position, check whether the limit switch on the tipping frame is operated. If not, the limit switch stop must be raised to the point where the switch does operate.

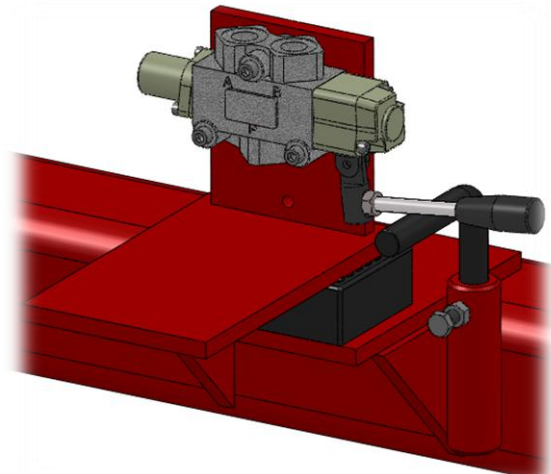


Figure 3.2.3-Hydraulic limit switch

1. Check that the tipping frame is horizontal and resting on its bump rubbers.
2. Loosen the adjusting tube bolt and locknut. See figure 3.2.3.
3. Bring the stop to the correct height, so that it comes up against the handle of the hydraulic switch. Check that the limit switch operates.
4. Securely retighten the bolt and locknut in the adjusting tube.
5. Check the machine for proper operation.



Always use original WIFO parts for replacement in order to comply with the warranty terms and conditions.



Please contact your dealer for any further concerns you may have. He will be pleased to assist.



EG-VERKLARING VAN OVEREENSTEMMING VOOR MACHINES
EC-DECLARATION OF CONFORMITY FOR MACHINERY
EG-MASCHINENÜBEREINSTIMMUNGSERKLÄRUNG
DÉCLARATION DE CONFORMITÉ "CE" POUR MACHINES

Fabrikant/Manufacturer/Fabrikant/Fabricant:

WIFO-Anema B.V.

Adres/Address/Adresse/Adresse:

Hegebeintumerdyk 37
9172 GP Ferwert
The Netherlands

Verklaart hiermede dat /Herwith declares that/Erklärt hiermit, daß/Déclare ci-après que

Serienummer/Serial number/Serienummer/Numéro de série:

Uitvoering/Model/Ausführung/Modèle:

- Voldoet aan de bepalingen van de Machinerichtlijn (Richtlijn 2006/42/EG, zoals laatstelijk gewijzigd) en de nationale wetgeving ter uitvoering van deze richtlijn;
- Is in conformity with the provisions of the Machine Directive (Directive 2006/43/EC, as amended) and with national implementing legislation;
- Konform ist min den einschlägigen Bestimmungen der EG-Maschinerichtlinie (EG-Richtlinie 2006/42/EG), inclusive deren Änderunge, sowie mit dem entsprechenden Rechtserlaß zur Umsetzung der Richtlinie in nationales Recht;
- Est conforme aux dispositions de la Directive "Machines" (Directive 2006/42/EC telle que dernièrement modifiée) et la législation nationale adoptée en application de ladite directive.

Ferwert, January 2023



Wytze Anema
(Director)