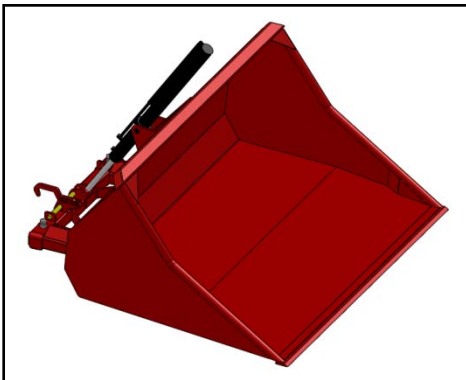
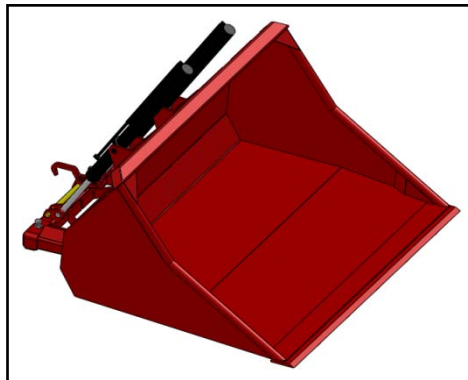


HOD/HOD-F/HOD-Z/HOD-ZF/HO/HOD-V

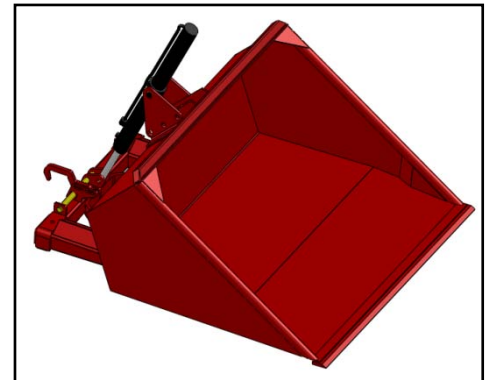
Hydraulic loading bucket



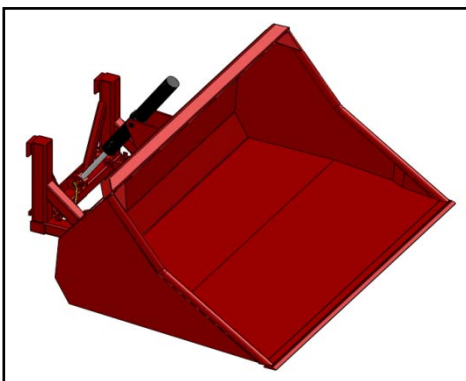
HOD fork mounted



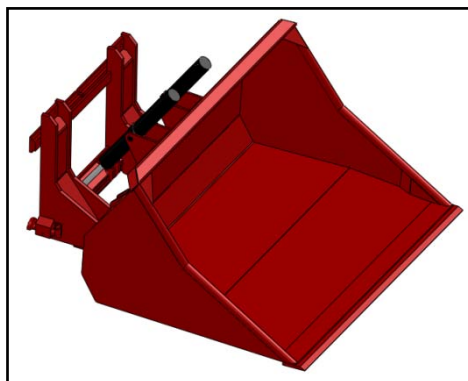
HOD-Z fork mounted



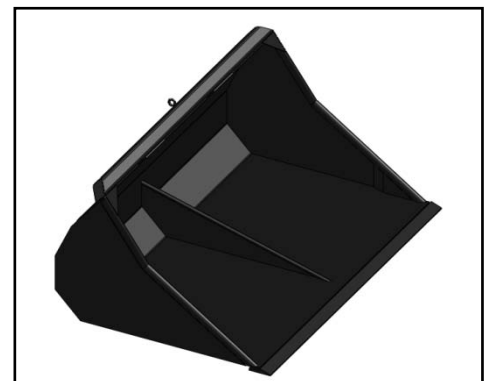
HO fork mounted



HOD-F fork carriage mounted



HOD-ZF fork carriage mounted



HOD-V



English

Table of contents

1. TO THE USER	2
1.1 INTRODUCTION	2
1.2 SAFETY PRECAUTIONS AND WARNINGS	3
1.2.1 <i>Safety precautions</i>	3
1.2.2 <i>Safety stickers and warning signs</i>	6
1.2.3 <i>Location of the safety stickers on the machine</i>	6
1.3 PURPOSE OF USE	7
1.4 LIABILITY.....	8
1.5 WARRANTY	8
2. TECHNICAL DATA	9
2.1 GENERAL TECHNICAL DATA	9
2.2 FORK MOUNTED HOD.....	11
2.2.1 <i>Parts list</i>	11
2.3 FORK CARRIAGE MOUNTED HOD-F.....	12
2.3.1 <i>Parts list</i>	12
2.4 FORK MOUNTED HOD-Z	13
2.4.1 <i>Parts list</i>	13
2.5 FORK CARRIAGE MOUNTED HOD-ZF	14
2.5.1 <i>Parts list</i>	14
2.6 FORK MOUNTED HO	15
2.6.1 <i>Parts list</i>	15
2.7 HOD-V FOR TELESCOPIC FORKLIFT TRUCKS, FRONT LOADERS, MOBILE SHOVELS	16
2.7.1 <i>Parts list</i>	16
2.7.2 <i>Commissioning fork mounted hydraulic bucket</i>	17
2.7.3 <i>Commissioning fork carrier mounted hydraulic bucket</i>	17
2.7.4 <i>Commissioning of bucket connected to telescopic forklift, front loader or mobile shovel</i>	18
2.8 REPLACEMENT COMPONENTS.....	19
3. MAINTENANCE AND TROUBLESHOOTING	20
3.1 PREVENTIVE MAINTENANCE AND LUBRICATION	20
3.2 TROUBLESHOOTING	21
3.3 WORK TO BE CARRIED OUT BY A COMPETENT MECHANIC.....	21
3.3.1 <i>Instructions for replacement of the blade and/or wearing strips</i>	21

1. To the user

1.1 Introduction

The aim of this manual is to inform users about the commissioning, use and maintenance of their new WIFO hydraulic loading bucket. Also included in this manual are a number of safety instructions to create a safe working environment.

At WIFO-Anema B.V. we aim to continuously improve our products. WIFO-Anema B.V. reserve the right to introduce any changes and improvements deemed necessary without prior notice.

Please read the manual thoroughly and observe the safety procedures before putting the unit into operation. Contact your dealer for any further questions or concerns you may have.

We trust your WIFO hydraulic loading bucket will provide many years of useful service.



ATTENTION:

Carefully read this manual before you put the machine into operation and act upon all directions that are given. This is to guarantee its safe, trouble-free operation.


Keep this manual in a safe place for future reference!


WIFO-Anema B.V.

Dealer:

1.2 Safety precautions and warnings

Please read this manual before you put the machine into operation for the first time, and observe the safety instructions at all times. The most important instructions are marked with a symbol.

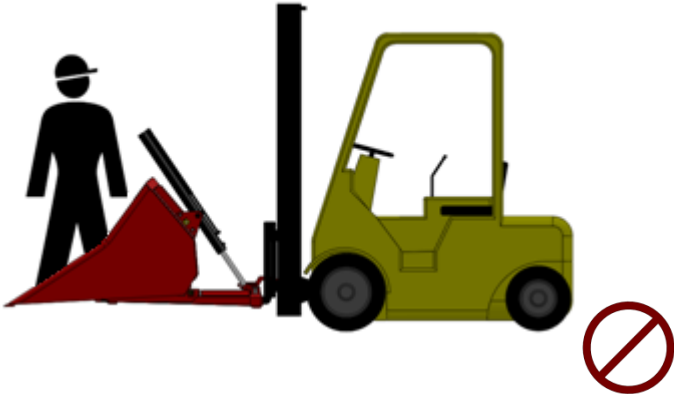
	<p><i>This symbol is used for all important safety instructions throughout this manual. Carefully observe the instructions and be very cautious.</i></p>
---	--

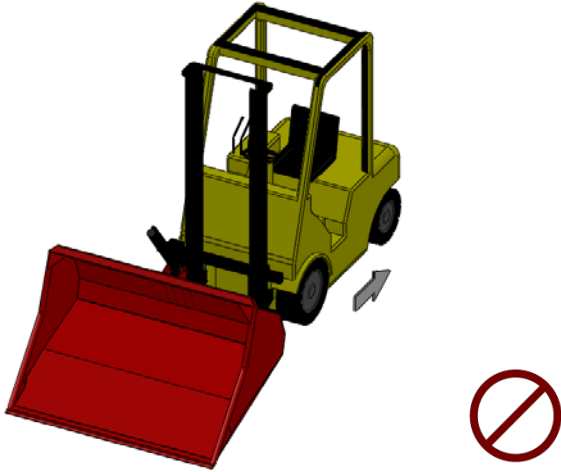
	<p><i>This symbol is used for all important actions that should not be carried out under any circumstances. Carefully observe these prohibitions.</i></p>
---	---

Any person in charge of the commencement of operation, the operation itself or the maintenance of the machine is urged to carefully read and observe the following instructions.

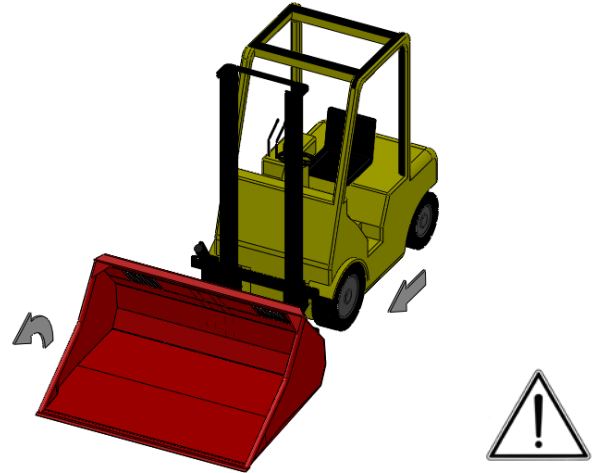
1.2.1 Safety precautions

The following safety instructions apply to all types of WIFO hydraulic loading buckets.

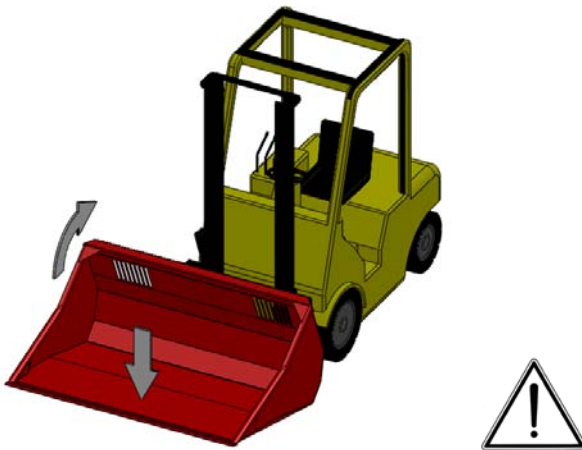
	
<p><i>Do not allow anyone to hitch a ride.</i></p>	<p><i>Persons must not stand below the raised bucket. Remember that items may fall from the bucket.</i></p>



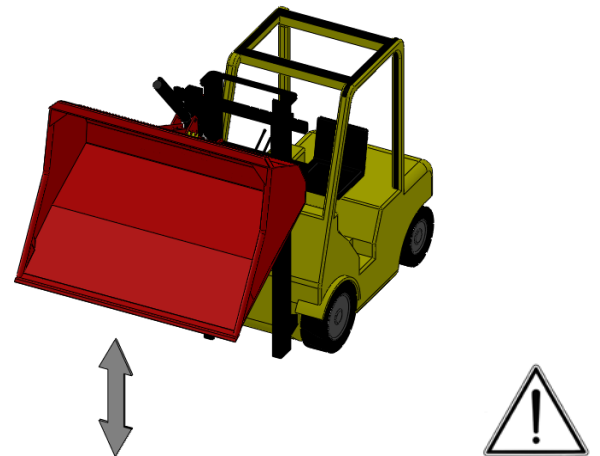
In order to prevent damage to the cylinder, a standard fork lift truck must not drive forwards, and a tractor fitted with a lifting mast must not reverse, while the loading bucket is in the forward (tipped) position, with the blade of the bucket on the ground.



During loading, the bucket must be kept horizontal or tilted a little forwards (max. 15°). Ensure that the bucket blade does not become trapped under or behind raised edges, rails etc. in order to avoid damage.



The loading bucket should be tipped back when transporting loads, in order to prevent the load falling out. Loads should be carried with the bucket in the lowest possible position to provide maximum stability to the lifting vehicle.



When tipping the loading bucket, ensure adequate clearance between the bucket and the ground in order to prevent damage to the loading bucket.



The bucket must only be operated from the driver's position inside the vehicle. Ensure that there is adequate visibility of the work activities from this position

Distribute the load as evenly as possible over the width of the bucket. Keep the centre of gravity of the load as close as possible to the fork carrier. Load the bucket in such a way as to prevent loads falling off unexpectedly.

Ensure that the tipping control lever cannot be confused with other controls, in order to prevent unintended operation.


Ensure that the hydraulic hoses cannot become trapped and that the bucket is able to rotate freely with the cylinder (at the highest point).

Ensure that all persons allow adequate space around the working area of the vehicle at all times.

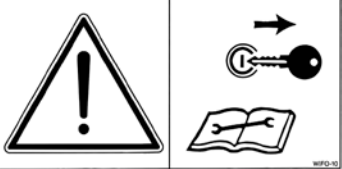
Ensure that the vehicle's tyres are adequately inflated in order to optimise the stability and steering of the vehicle/shovel combination. Account must also be taken of the shifting centre of gravity as the bucket is tipped, and particularly when working on rough ground or on slopes. Use counterweights and/or double tyres if necessary.

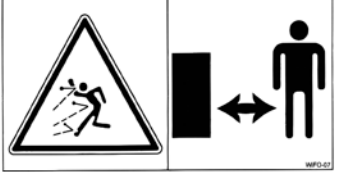
The forklift truck or lifting mast vehicle must be parked with the loading bucket in its lowest position and flat on the ground. Ensure that the vehicle/shovel combination can not make unintended movements while the forklift or tractor is out of use. Disconnect the hydraulic hoses if necessary.

1.2.2 Safety stickers and warning signs

	<p>A safe working environment also requires personnel to be well-informed about the various safety stickers on the machine. Be aware of the hazards they warn you to look out for.</p> <p>Replace any loose, illegible or missing stickers.</p>
---	---

Several safety stickers have been put onto the machine. The meaning of the stickers on this machine is as follows:

	<p><u>N.B.:</u> Please read the instructions from the manual prior to any maintenance to the machine! Turn off the engine and remove the key from the ignition while maintenance is carried out on the machine!</p>
---	--

	<p><u>Danger:</u> Always keep at a safe distance from the machine!</p>
--	---

1.2.3 Location of the safety stickers on the machine

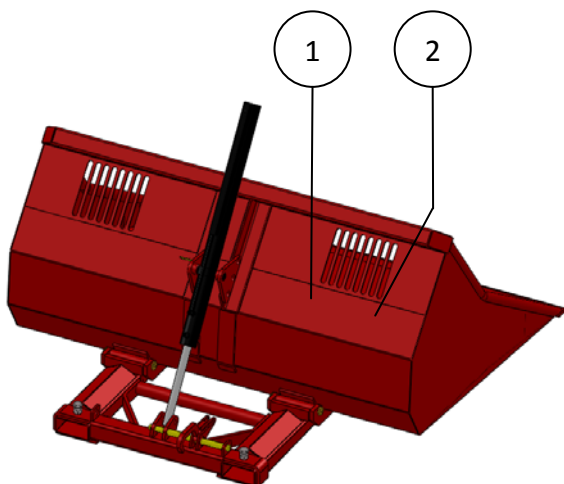


Figure 1.2.1-Location of the safety stickers for fork mounted HOD

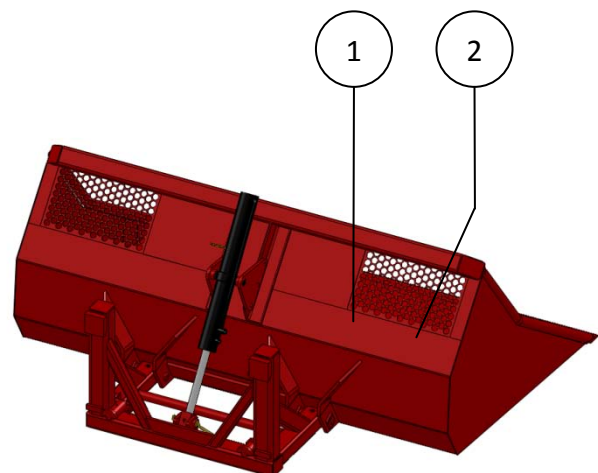


Figure 1.2.2-Location of the safety stickers for fork carriage mounted HOD-F

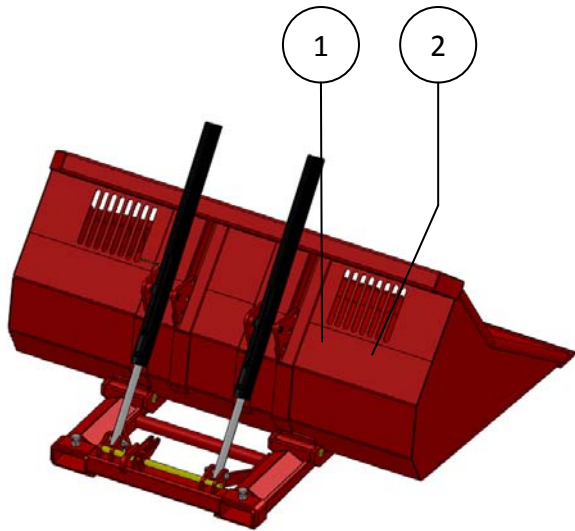


Figure 1.2.3-Location of the safety stickers for fork mounted HOD-Z

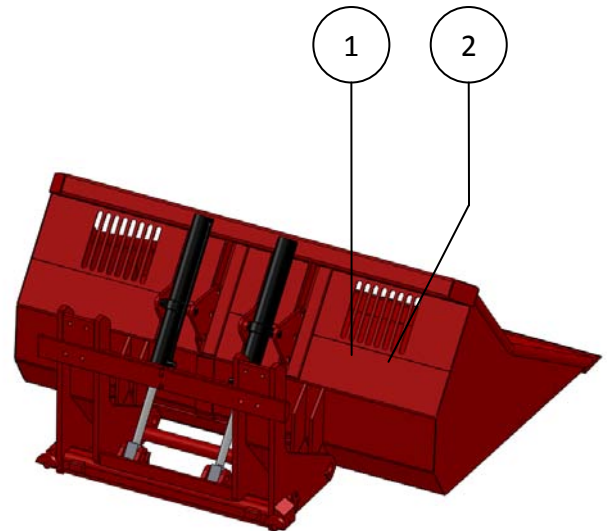


Figure 1.2.4-Location of the safety stickers for fork carriage mounted HOD-ZF

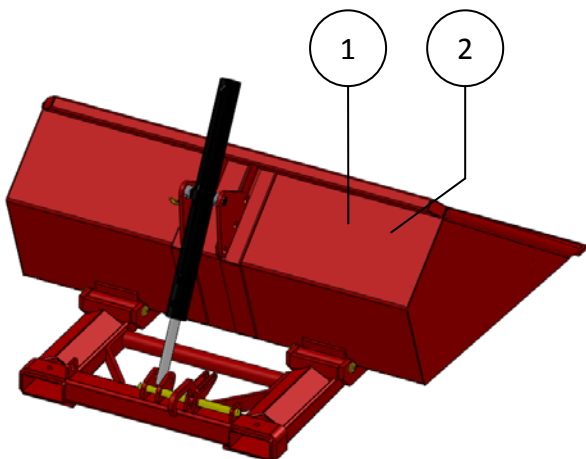


Figure 1.2.5-Location of the safety stickers for fork mounted HO

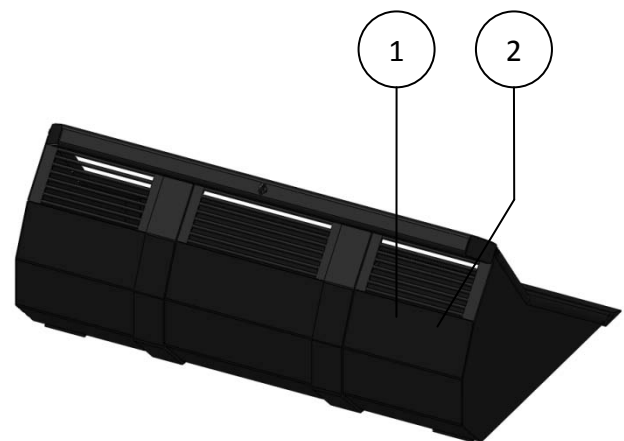


Figure 1.2.6-Location of the safety stickers for HOD-V (telescopic forklift, etc)

1.3 Purpose of use

The special side plates, the rounded sides and the vision gratings make WIFO HO, HOD, HOD-V and HOD-Z hydraulic high visibility loading buckets particularly suitable for loading and transporting products sensitive to damage, such as eating or seed potatoes, onions, flower bulbs etc.



NOTE:

The capacity of the forklift truck or lifting mast must exceed the total mass of the bucket and load. The forklift truck or lifting mast must be equipped with a double action hydraulic connection at the fork carrier, as a minimum.

The hydraulic bucket must in no circumstances be used for the carriage of persons!

1.4 Liability

Any person working with or on the machine must have read this manual. The machine is to be used for its intended purpose only. Included in the intended purpose are, among other things:

1. Work must be carried out in accordance with the directions and within the functional restrictions (e.g. maximum hydraulic working pressure) as outlined in the regulations. Use only sound and appropriate tools.
2. Electric/electronic equipment and accessories (e.g. cables) must be treated in accordance with the general accepted policy for using non-waterproof portable electric and electronic equipment, such as:
 - a) Storing and keeping in a clean, dry environment away from rodents and the like; and
 - b) Protecting the equipment against severe, uncushioned shocks and water (precipitation).
3. Use only original or compatible spare parts. Such parts must be assembled as directed (e.g. by observing the recommended tightening moments). Spare parts (as well as lubricants) are considered compatible only if explicitly approved by WIFO or in the event that the customer is able to prove they possess the required properties for the purpose(s) they are used.
4. Use only lubricants that meet the specifications as described in the directions.
5. Always observe the local regulations in terms of accident prevention, safety, traffic and transport.
6. Only trained personnel with knowledge of the possible hazards have permission to work with/on the machine.
7. WIFO-Anema B.V. will assume no liability in any shape or form for losses or damage caused following modifications to the machine, which have not been explicitly approved by WIFO.



Noncompliance with the rules and directions from this manual will be considered as serious negligence, for the consequences of which WIFO-Anema B.V. accepts no liability whatsoever. In such cases, the user will bear the full risk of his actions.

WIFO-Anema B.V. is continuously working on the improvement of its products. For that reason, WIFO-Anema B.V. reserves the right to introduce any changes and improvements deemed necessary without prior notice. However, it does not imply an obligation to make any such changes or improvements to machines bought by customers in the past.

1.5 Warranty

WIFO-Anema B.V. guarantees the soundness of its products in terms of materials used and/or structural defects. However, in any event this warranty is limited to the free-of-charge replacement or repairs of the defect product, or part thereof. WIFO-Anema B.V. assumes no liability for any loss or damage arising from faulty deliveries and/or the breakdown of purchased goods before the warranty period has expired. **The warranty period for this product is twelve months.**

2. Technical data

2.1 General technical data

Type	HOD-150	HOD-175	HOD-200	HOD-225
Capacity	1100 L	1300 L	1500 L	1700 L
Weight	390 kg	410 kg	430 kg	450 kg
Centre of gravity	900 mm	900 mm	900 mm	900 mm
Centre of gravity for combination ¹	990 mm	990 mm	990 mm	990 mm
Width	1500 mm	1750 mm	2000 mm	2250 mm
Depth	1550 mm	1550 mm	1550 mm	1550 mm
Height	850 mm	850 mm	850 mm	850 mm
Max. working pressure	18 MPa (180 bar)	18 MPa (180 bar)	18 MPa (180 bar)	18 MPa (180 bar)
Tipping angle ²	46°/41°	46°/41°	46°/41°	46°/41°

Table 2.1.1-Fork mounted HOD models

Type	HOD-150F	HOD-175F	HOD-200F	HOD-225F
Capacity	1100 L	1300 L	1500 L	1700 L
Weight	400 kg	420 kg	440 kg	480 kg
Centre of gravity	800 mm	800 mm	800 mm	800 mm
Centre of gravity for combination ¹	960 mm	960 mm	960 mm	960 mm
Width	1500 mm	1750 mm	2000 mm	2250 mm
Depth	1550 mm	1550 mm	1550 mm	1550 mm
Height	850 mm	850 mm	850 mm	850 mm
Max. working pressure	18 MPa (180 bar)	18 MPa (180 bar)	18 MPa (180 bar)	18 MPa (180 bar)
Tipping angle ²	60°/40°	60°/40°	60°/40°	60°/40°

Table 2.1.2-Fork carriage mounted HOD-F models

Type	HOD-Z-200	HOD-Z-225	HOD-Z-250	HOD-Z-275
Capacity	1500 L	1700 L	1900 L	2100 L
Weight	650 kg	675 kg	700 kg	725 kg
Centre of gravity	900 mm	900 mm	900 mm	900 mm
Centre of gravity for combination ¹	990 mm	990 mm	990 mm	990 mm
Width	2000 mm	2250 mm	2500 mm	2750 mm
Depth	1550 mm	1550 mm	1550 mm	1550 mm
Height	850 mm	850 mm	850 mm	850 mm
Max. working pressure	18 MPa (180 bar)	18 MPa (180 bar)	18 MPa (180 bar)	18 MPa (180 bar)
Tipping angle ²	46°/41°	46°/41°	46°/41°	46°/41°

Table 2.1.3-Fork carrier mounted HOD-Z models

Type	HOD-Z-200F	HOD-Z-225F	HOD-Z-250F	HOD-Z-275F
Capacity	1500 L	1700 L	1900 L	2100 L
Weight	750 kg	795 kg	925kg	970 kg
Centre of gravity	800 mm	800 mm	800 mm	800 mm
Centre of gravity for combination ¹	1000 mm	1000 mm	1000 mm	1000 mm
Width	2000 mm	2250 mm	2500 mm	2750 mm
Depth	1550 mm	1550 mm	1550 mm	1550 mm
Height	850 mm	850 mm	850 mm	850 mm
Max. working pressure	18 MPa (180 bar)	18 MPa (180 bar)	18 MPa (180 bar)	18 MPa (180 bar)
Tipping angle ²	69°/37°	69°/37°	69°/37°	69°/37°

Table 2.1.4-Fork carrier mounted HOD-ZF models

Type	HO-950	HO-1100	HO-1200
Capacity	950 L	1100 L	1200 L
Weight	380 kg	400 kg	420 kg
Centre of gravity	800 mm	800 mm	800 mm
Centre of gravity for combination ¹	1070 mm	1070 mm	1070 mm
Width	1600 mm	1800 mm	2000 mm
Depth	1400 mm	1400 mm	1400 mm
Height	650 mm	650 mm	650 mm
Max. working pressure	18 MPa (180 bar)	18 MPa (180 bar)	18 MPa (180 bar)
Tipping angle ²	38°/22°	38°/22°	38°/22°

Table 2.1.5-Fork mounted HO models

Type	HOD-V-225	HOD-V-250	HOD-V-275	HOD-V-300
Capacity	1700 L	1900 L	2100 L	2300 L
Weight	635 kg	680 kg	750 kg	795 kg
Centre of gravity	520 mm	520 mm	520 mm	520 mm
Centre of gravity for combination ¹	-	-	-	-
Width	2250 mm	2500 mm	2750 mm	3000 mm
Depth	1550 mm	1550 mm	1550 mm	1550 mm
Height	850 mm	850 mm	850 mm	850 mm
Max. working pressure	18 MPa (180 bar)	18 MPa (180 bar)	18 MPa (180 bar)	18 MPa (180 bar)
Tipping angle ²	-	-	-	-

Table 2.1.6-HOD-V telescopic forklift models

¹ Point from which the remaining capacity of the forklift truck is calculated, including the load.

² Forward tipping angle/rearward angle.

Attachment options

Fork mounted models:

- *The distance between the forkholder centers is 830mm.*

For fork carrier mounted models:

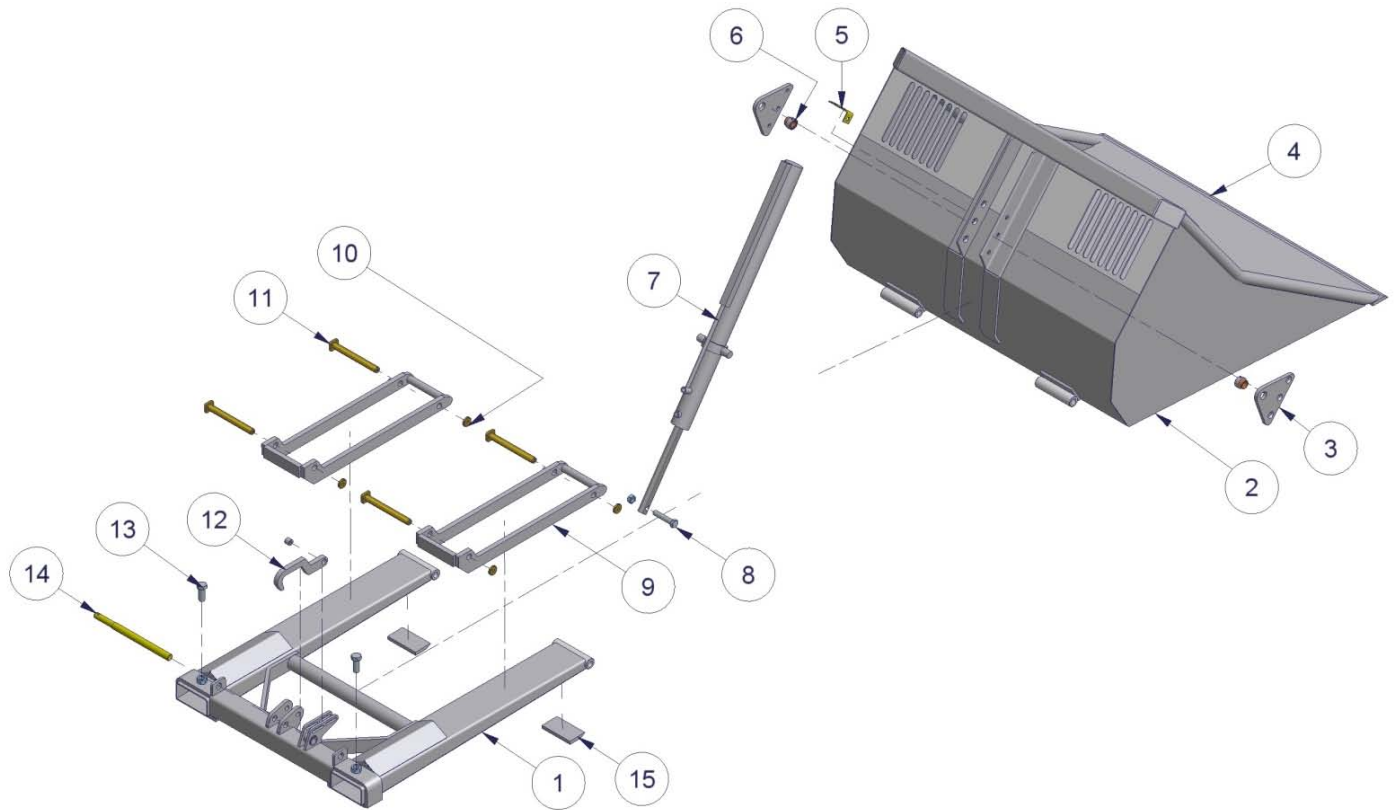
- *FEM II (407 mm)/FEM III (508 mm).*

For the version used with telescopic forklifts and similar:

- *A variety of attachment options are available for WIFO loading buckets used with telescopic forklift trucks and similar equipment, depending on the vehicle/loading bucket combination.*

2.2 Fork mounted HOD

2.2.1 Parts list

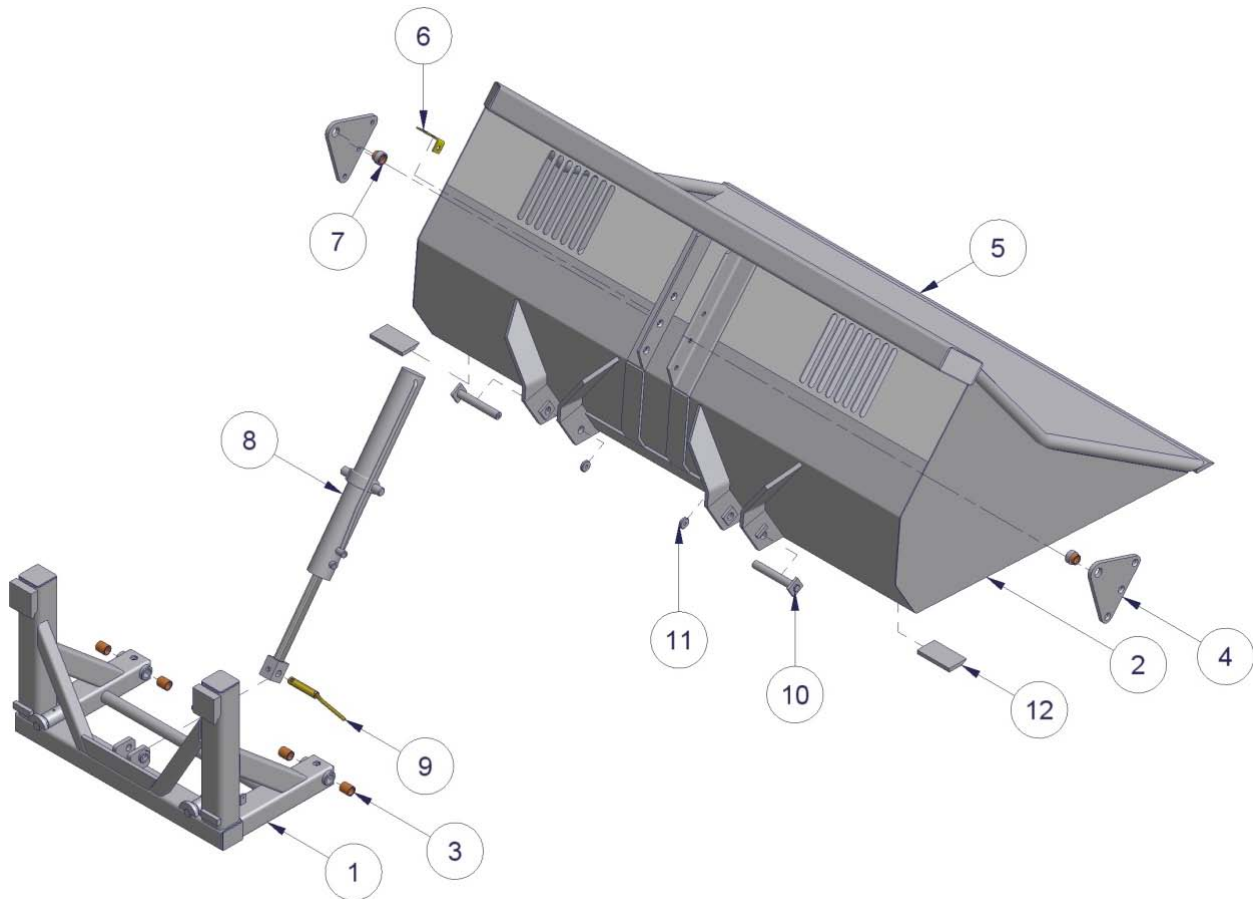


Number	Description
1	Frame
2	Bucket
3	Cylinder plate
4	Blade
5	Hose clip
6	Cylinder plate bearing
7	Cylinder DW 63-35-1000
8	Bolt with self-locking nut
9	Strip hinge
10	Washer
11	Strip hinge pin
12	Securing hook
13	Bolt with locknut
14	Securing hook pin
15	Wearing strip

Table 2.2.1-Parts list for fork mounted HOD models

2.3 Fork carriage mounted HOD-F

2.3.1 Parts list

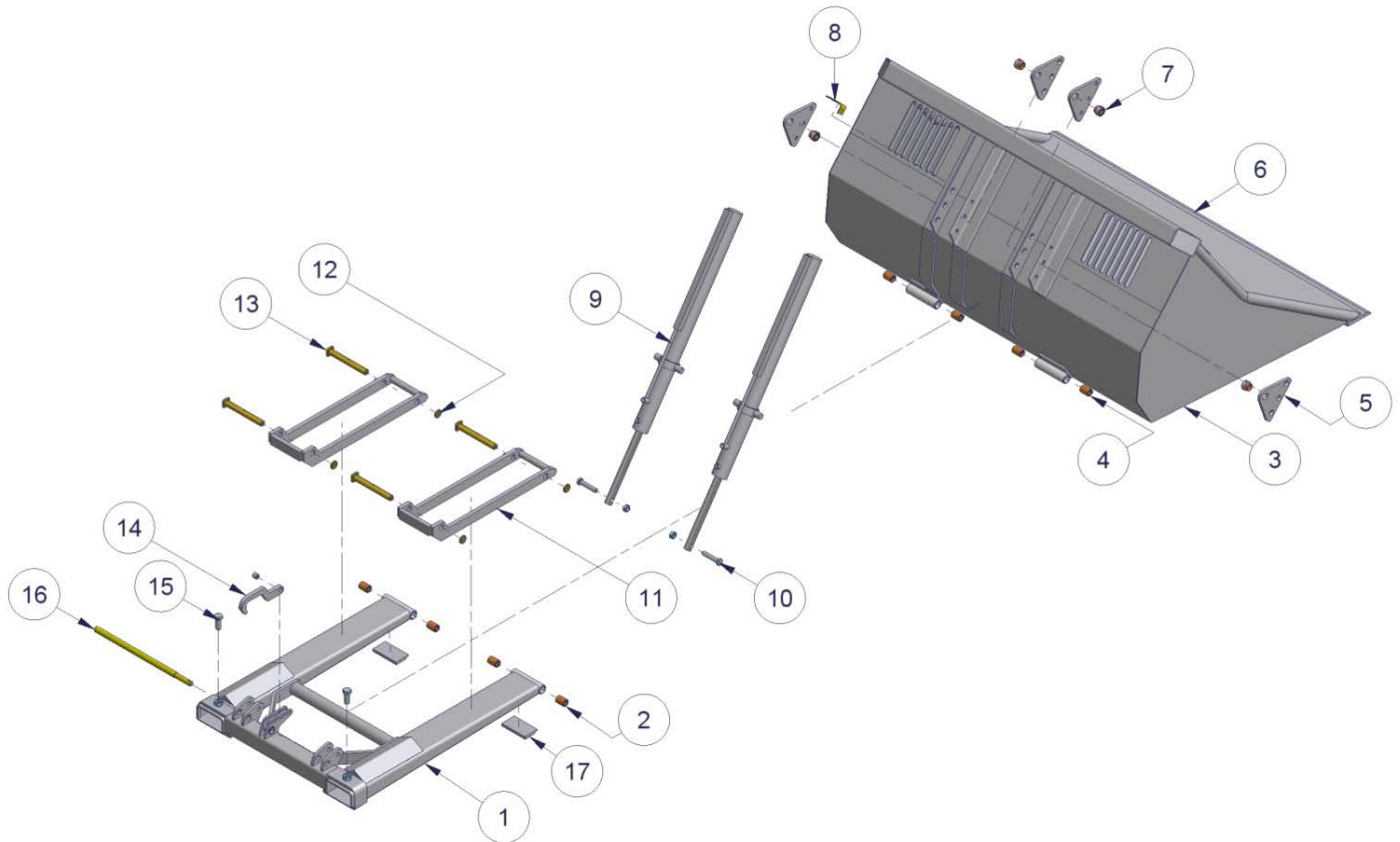


Number	Description
1	Frame
2	Bucket
3	Bronze frame bushing
4	Cylinder plate
5	Blade
6	Hose clip
7	Cylinder plate bearing
8	Cylinder DW 70-35-600
9	Cylinder pin
10	Bucket pin
11	Washer
12	Wearing strip

Table 2.3.1-Parts list for fork carriage mounted HOD-F

2.4 Fork mounted HOD-Z

2.4.1 Parts list

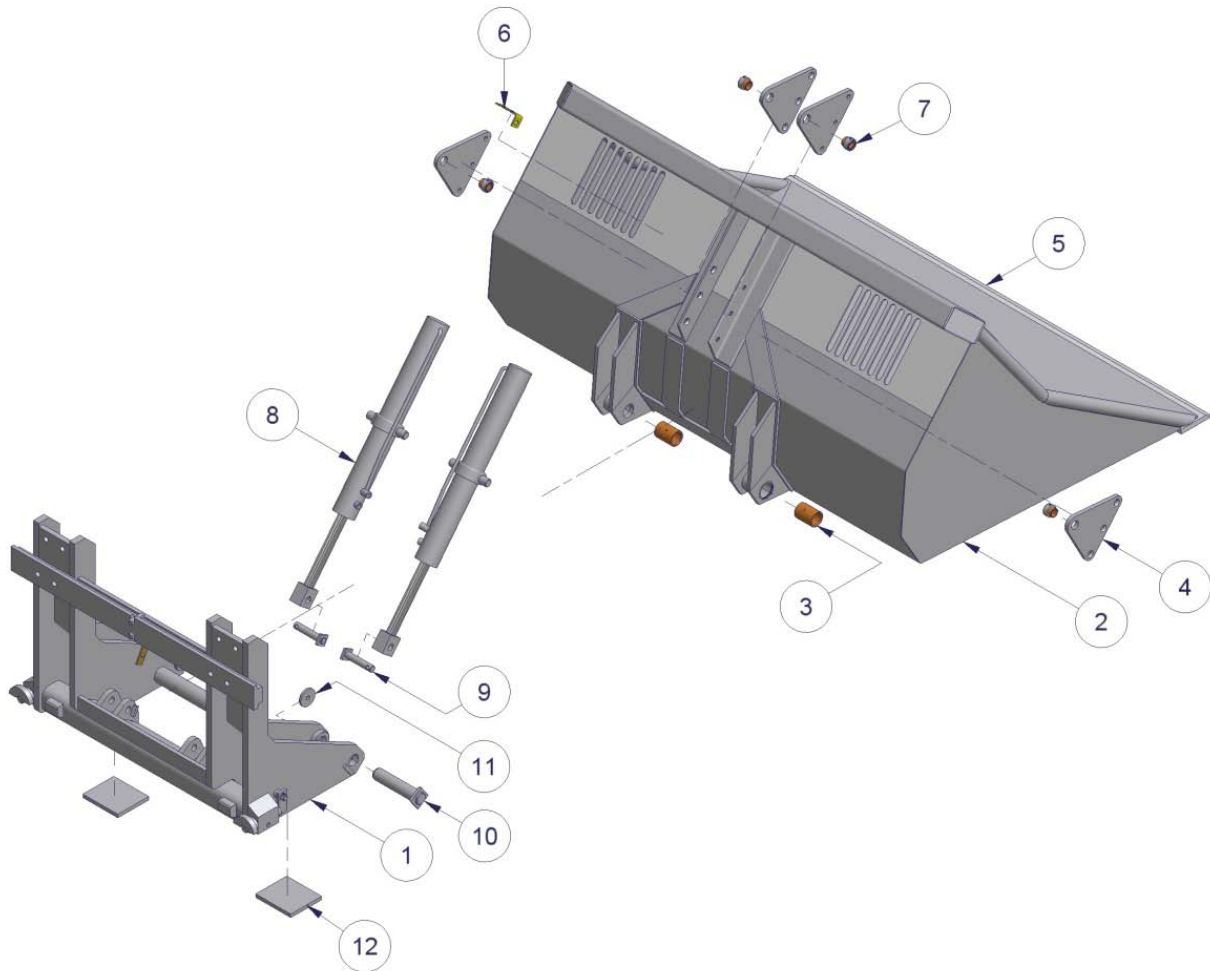


Number	Description
1	Frame
2	Bronze frame bushing
3	Bucket
4	Bronze bucket bushing
5	Cylinder plate
6	Blade
7	Cylinder plate bearing
8	Hose clip
9	Cylinder DW 63-35-1000
10	Bolt with self-locking nut
11	Strip hinge
12	Washer
13	Hinge pin
14	Securing hook
15	Bolt with locknut
16	Securing hook pin
17	Wearing strip

Table 2.4.1-Parts list for fork mounted HOD-Z

2.5 Fork carriage mounted HOD-ZF

2.5.1 Parts list

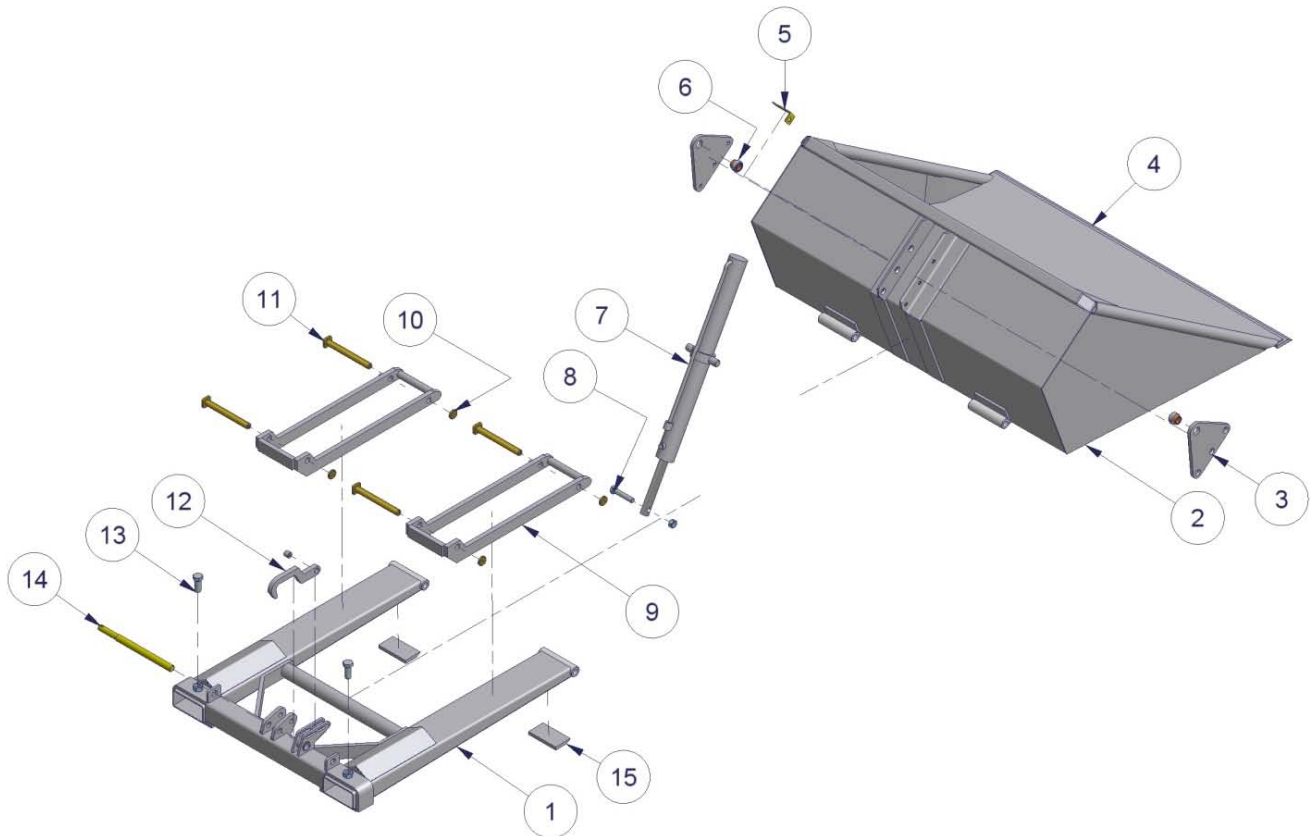


Number	Description
1	Frame
2	Bucket
3	Bronze bucket bushing
4	Cylinder plate
5	Blade
6	Hose clip
7	Cylinder plate bearing
8	Cylinder DW 70-35-600
9	Cylinder pin
10	FEM frame pin
11	Washer
12	Wearing strip

Table 2.5.1-Parts list for fork carriage mounted HOD-ZF

2.6 Fork mounted HO

2.6.1 Parts list

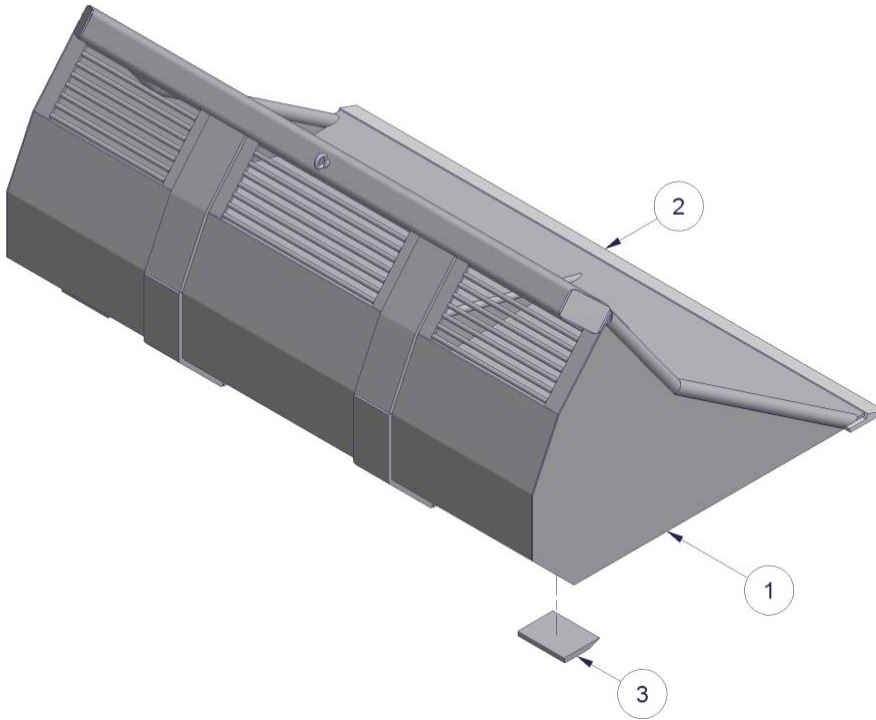


Number	Description
1	Frame
2	Bucket
3	Cylinder plate
4	Blade
5	Hose clip
6	Cylinder plate bearing
7	Cylinder DW 63-35-750
8	Bolt with self-locking nut
9	Strip hinge
10	Washer
11	Hinge pin
12	Securing hook
13	Bolt with locknut
14	Securing hook pin
15	Wearing strip

Table 2.6.1-Parts list for fork mounted HO

2.7 HOD-V for telescopic forklift trucks, front loaders, mobile shovels

2.7.1 Parts list



Number	Description
1	Bucket
2	Blade
3	Wearing strip

Table 2.7.1-Parts list HOD-V

2.7.2 Commissioning fork mounted hydraulic bucket

1. Place the forklift truck or lifting mast forks the correct distance apart (830 mm centres) so that the hydraulic bucket is located centrally in front of the vehicle.
2. Drive the vehicle forward and engage the forks as deeply as possible into the bucket's fork holders.
3. Use the securing hook or chain to fix the bucket frame to the forklift truck or lifting mast fork carrier, so that the bucket cannot slip from the forks.
4. With the bucket slightly raised, the bolts must be tightened that they just clear the forklift truck or lifting mast forks. Secure these bolts using the locknuts supplied.
5. Connect the hydraulic hoses and ensure that the quick connectors are clean so that no contamination is introduced to the machine's hydraulic system.
6. Next, check that all hydraulic hoses are free to move throughout their length, and inspect for oil leaks.
7. Check the operation of the loading bucket using the hydraulic controls.

2.7.3 Commissioning fork carrier mounted hydraulic bucket

1. Remove the forks from the forklift truck or forklift mast.
2. Make sure the fork carrier is straight and clean.
3. Locate the loading bucket on the forklift truck or lifting mast fork carrier.
4. Make sure the locking cam slots into the recess in the centre of the fork carrier. If no recess is available:
 - a) Grind such a recess; or
 - b) Grind off the locking cam from the loading bucket and fit a suitable locking cam in an existing recess in the fork carrier, so that the loading bucket is positioned in the centre of the fork carrier and cannot slide sideways.
5. Lock the bucket to the fork carrier by giving the locking handles a half turn so that the profiled half discs engage at the rear of the fork carrier. Use the locking spring to secure the handles.
6. Connect the hydraulic hoses and ensure that the quick connectors are clean so that no contamination is introduced to the machine's hydraulic system.
7. Next, check that all hydraulic hoses are free to move throughout their length, and inspect for oil leaks.
8. Check the operation of the loading bucket using the hydraulic controls.

2.7.4 Commissioning of bucket connected to telescopic forklift, front loader or mobile shovel

1. Remove the pins from the quick attachment frame.
2. Tip the quick attachment frame forwards using the tipping cylinders and hook the loading bucket onto the telescopic forklift, front loader or mobile shovel. The hooks must engage between the quick attachment system guide strips.
3. Now tip the quick attachment frame to the rear using the tipping cylinders, and replace the pins with their securing pins, so that the loading bucket is firmly attached.
4. Connect the hydraulic hoses and ensure that the quick connectors are clean so that no contamination is introduced to the machine's hydraulic system.
5. Next, check that all hydraulic hoses are free to move throughout their length, and inspect for oil leaks.
6. Check the operation of the loading bucket using the hydraulic controls.

The WIFO bucket is now ready for use.

2.8 Replacement components


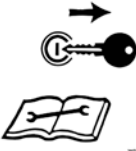
Type	Accessories	Component number
<u>HOD/HOD-F</u>	Supply and offtake hoses	HYLR180031HW
	Cylinder seal kit ¹	779185
	Cylinder seal kit ²	779187B
	Manganese wearing strip 80x15-L0150	4390102
<i>HOD-150(F)</i>	Manganese blade 80x15-L1500	4390108
<i>HOD-175(F)</i>	Manganese blade 80x15-L1750	4390115
<i>HOD-200(F)</i>	Manganese blade 80x25-L2000	439013
<i>HOD-225(F)</i>	Manganese blade 80x15-L2250	4390135
<u>HOD-Z/HOD-ZF</u>	Supply and offtake hoses	HYLR210041GG90
	Hoses from cylinder	HYLR060031WW90
	Cylinder seal kit ¹	779185
	Cylinder seal kit ²	779187B
	Boron wearing strip	4390137
<i>HOD-Z-200(F)</i>	Boron blade 150x20-L2000	4390163
<i>HOD-Z-225(F)</i>	Boron blade 150x20-L2250	4390166
<i>HOD-Z-250(F)</i>	Boron blade 150x20-L2500	439017
<i>HOD-Z-275(F)</i>	Boron blade 150x20-L2750	4390173
<u>HO</u>	Supply and offtake hoses	HYLR180031HW
	Cylinder seal kit	779185
	Manganese wear strip 80x15-L0150	4390102
<i>HO-950</i>	Manganese blade 80x15-L1600	439011
<i>HO-1100</i>	Manganese blade 80x15-L1800	439012
<i>HO-1200</i>	Manganese blade 80x25-L2000	439013
<u>HOD-V</u>	Boron wearing strip 150x20-L0200	4390138
<i>HOD-V-225</i>	Boron blade 150x20-L2250	4390166
<i>HOD-V-250</i>	Boron blade 150x20-L2500	439017
<i>HOD-V-275</i>	Boron blade 150x20-L2750	4390173
<i>HOD-V-300</i>	Boron blade 150x20-L3000	4390175

Table 2.8.1- Replacement components for WIFO hydraulic loading buckets

¹ Seal kit for cylinder DW 63-35-1000, modified for fork mounted model

² Seal kit for cylinder DW 70-35-600, modified for fork carrier mounted model.

3. Maintenance and troubleshooting


 	<p><u>N.B.:</u> <i>Please read the instruction manual prior to any maintenance to the machine! Turn off the engine and remove the key from the ignition while maintenance is carried out on the machine!</i></p>
---	---

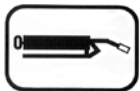
Ensure that the loading bucket is in its lowest position and flat on the ground. Prevent the unintended tipping and/or raising of the bucket during maintenance activities by switching off the vehicle's engine and removing the ignition key. An additional precaution would be to disconnect the hydraulic hoses.


3.1 Preventive maintenance and lubrication

After the first 8 working hours:


- Check the connections and turnbuckles of the hydraulic hoses.
- Tighten all bolts to 105 Nm.

	<p><i>This sticker shows the position of a grease nipple on the machine. Lubricate the machine after every 10 working hours. Recommended lubricants include SAE 30 oil and Grade 2 lithium-based grease.</i></p>
---	--


	<p><i>The fork mounted loading buckets type HOD-, HOD-Z and HO are equipped with a grease nipple in each pin of the hinges. It's strongly recommended to lubricate these hinges after every 10 working hours.</i></p>
---	---

	<p><i>Regularly check the hydraulic system for any leaks. Never try and search for leaks or stop a leak by hand. Liquid under high pressure can easily penetrate skin and clothing, and may cause serious injuries. Replace any damaged hydraulic hoses to prevent bursting and subsequent injury.</i></p>
	<p><i>Regularly check the oil level of the hydraulic system of your tractor/forklift.</i></p>

3.2 Troubleshooting

	<p><i>Always use original WIFO parts for replacement in order to comply with the warranty terms and conditions.</i></p>
---	---

Bucket type	Problem	Solution
All types.	The bucket blade is worn.	The blade should be replaced by a competent fitter.
	The wearing strips are worn.	The wearing strips should be replaced by a competent fitter.

	<p><i>Please contact your dealer for any further concerns you may have. He will be pleased to assist.</i></p>
---	---

3.3 Work to be carried out by a competent mechanic

3.3.1 Instructions for replacement of the blade and/or wearing strips

Take adequate safety measures for grinding and welding jobs (fire risk, personal protection, etc.).

1. Disconnect all hydraulic hoses.
2. Use suitable lifting equipment and place the loading bucket on a robust and level substrate so that the blade and wearing strips are easily accessible. Prevent damage to the cylinder and provide adequate support for the bucket.
3. Grind off the old blade and/or wearing strips and remove the welds from the bucket.

Blade:

4. Locate the new blade straight and level below the bucket.
 - a) With the machine positioned for lifting the load, the sharp edge of the blade must be underneath, and pointing forwards.
 - b) The blade/bucket overlap is 40mm with an 80mmx15mm manganese blade, and 75mm with a 150mmx20mm boron blade. (See figure 3.3.1)
5. Weld the upper surface of the blade along its entire length (A height = 4).
6. Weld the rear of the blade using welds of 100mm (A height = 5) with intervals of 150mm.

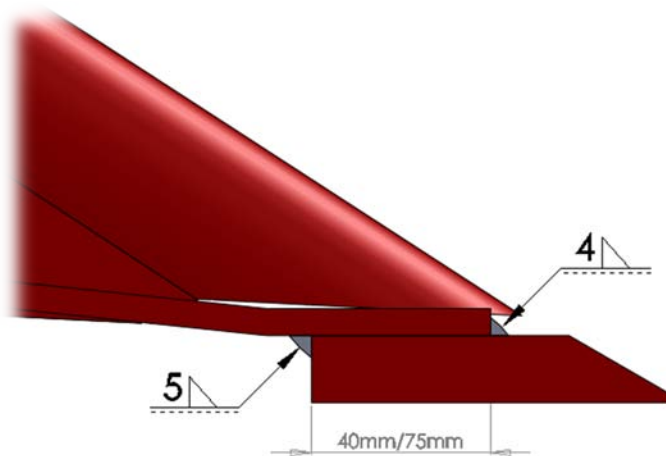


Figure 3.3.1-Blade overlap for hydraulic loading buckets

Wearing strips:

4. Locate the new wearing strips straight and level below the bucket.
 - a) With the machine positioned for lifting the load, the sharp edge of the blade must be on top, and pointing forwards.
 - b) Locate the wearing strips at 50mm from the side of the bucket.
5. Weld around the wearing strip (A height = 6).



EG-VERKLARING VAN OVEREENSTEMMING VOOR MACHINES
EC-DECLARATION OF CONFORMITY FOR MACHINERY
EG-MASCHINENÜBEREINSTIMMUNGSERKLÄRUNG
DÉCLARATION DE CONFORMITÉ "CE" POUR MACHINES

Fabrikant/Manufacturer/Fabrikant/Fabricant:

WIFO-Anema B.V.

Adres/Address/Adresse/Adresse:

Hegebeintumerdyk 37

9172 GP Ferwert

The Netherlands

Verklaart hiermede dat /Herewith declares that/Erklärt hiermit, daß/Déclare ci-après que

Serienummer/Serial number/Serienummer/Numéro de série:

Uitvoering/Model/Ausführung/Modèle:

- Voldoet aan de bepalingen van de Machinerichtlijn (Richtlijn 2006/42/EG, zoals laatstelijk gewijzigd) en de nationale wetgeving ter uitvoering van deze richtlijn;
- Is in conformity with the provisions of the Machine Directive (Directive 2006/43/EC, as amended) and with national implementing legislation;
- Konform ist mit den einschlägigen Bestimmungen der EG-Maschinerichtlinie (EG-Richtlinie 2006/42/EG), inklusive deren Änderungen, sowie mit dem entsprechenden Rechtserlaß zur Umsetzung der Richtlinie in nationales Recht;
- Est conforme aux dispositions de la Directive "Machines" (Directive 2006/42/EC telle que dernièrement modifiée) et la législation nationale adoptée en application de ladite directive.

Ferwert, March 2009



Wytze Anema
(Director)